



Speedmaster SM 52  
Speedmaster SM 74

**HEIDELBERG**

# Speedmaster SM 52 and Speedmaster SM 74 – Great Presses, Great Price, Great Value.

Experience is the key to success. Speedmaster® SM presses have been in use around the world for decades. These basic models owe their success to a level of performance and cost-efficiency that enables small and medium-sized commercial print shops in particular to take a professional approach to satisfying customer requirements and grow in a market environment that is constantly changing. The Speedmaster SM 52 and Speedmaster SM 74 with two or four printing units are ideal solutions thanks to proven Heidelberg® technology.

#### Perfect machine, attractive conditions.

The Speedmaster SM 52 and Speedmaster SM 74 offer sophisticated technology and continuity for the small and medium formats. The standard features of these two models have been extended and geared specifically to the needs of small and medium-sized print shops. Combining successful technology with attractive conditions, they offer reliability in production and investment security by delivering trademark Speedmaster excellence when it comes to print quality, reliability, and value retention.

**Flexibility for your requirements.** The two presses are known for their extensive job spectrum – the Speedmaster SM 52 in the 35 × 50 cm (13.78 × 19.69 in) format class and the Speedmaster SM 74 in the 50 × 70 cm (19.69 × 27.56 in) format class. They can process a whole host of substrates and grammages, while their comprehensive range of standard features offers a wealth of opportunities and exceptional flexibility.

**A Speedmaster through and through.** Both models benefit from the same superior design and operation as all Speedmaster presses. They are extremely user-friendly and the level of automation supplied as standard reduces both makeready times and costs.

#### Perfect combination of ecology and economy.

The Speedmaster SM 52 and Speedmaster SM 74 are known not simply for their productivity, quality, and reliability. Their energy and resource efficiency make these presses the most environmentally friendly machines in their class. The tried-and-tested cylinder concept, for example, reduces energy requirements by ensuring reliable sheet travel with significantly lower air consumption. Star System peripherals perfectly coordinated with the press are highly efficient and designed to conserve resources.

#### **The Speedmaster SM 52 and Speedmaster SM 74 at a glance:**

- Production speeds of up to 15,000 sheets per hour
- Available as two- or four-color presses
- Excellent range of standard features
- Proven technology for reliability in production, investment security, and quality
- Extremely user-friendly and ergonomic operation
- Extensive job spectrum thanks to flexible processing of different substrates and grammages

This information and all subsequent details are dependent on press configurations, job structures, and in-house processes.

# From Feeder to Pile. High Performance Thanks to Successful End-to-End Heidelberg Technology.



The perfect start for high productivity – the Prinect Press Center Compact control station.

**Prinect Press Center Compact.** Straightforward operation and precision control. Based on Sheetfed Control – the patented, decentralized control platform from Heidelberg – the Prinect Press Center® Compact combines the press control system and remote color and register control in one central console. Data is entered via a convenient touchscreen interface. When changing jobs, the innovative, process-oriented operator guidance system Intellistart® uses all the relevant information on both the current and subsequent jobs to deliver optimum, plannable makeready processes. The standard daylight lamp provides ideal illumination for the console. The Prinect Press Center Compact control station and the Prinect Easy Control/Prinect Image Control color measuring system form a single perfectly coordinated unit. The press is fully integrated into the Prinect® workflow via the Prinect Press Center Compact, enabling operators to benefit from perfect data management.



Optimum sheet transport – the feeder with central suction tape.

The feeder – the first step in a successful production process. The suction tape feeder is designed for perfect sheet separation, smooth and reliable sheet travel, excellent register accuracy, and extremely simple operation. The suction head enables reliable and problem-free operation with all material thicknesses up to 0.40 mm (0.0157 in) for the Speedmaster SM 52 and up to 0.60 mm (0.0236 in) for the Speedmaster SM 74 – even at top speeds of 15,000 sheets per hour. The central suction tape ensures smooth and mark-free sheet transport to the front and side lays, while the sheet arrival detector, the built-in double sheet detectors, and the StaticStar® Compact at the feeder deliver excellent reliability in production. The Speedmaster SM 74 benefits from a smooth production process thanks to its speed-compensated blast air and self-cleaning pneumatic pull lays.



The printing units of the Speedmaster SM 52 combine precision and cost-efficiency.

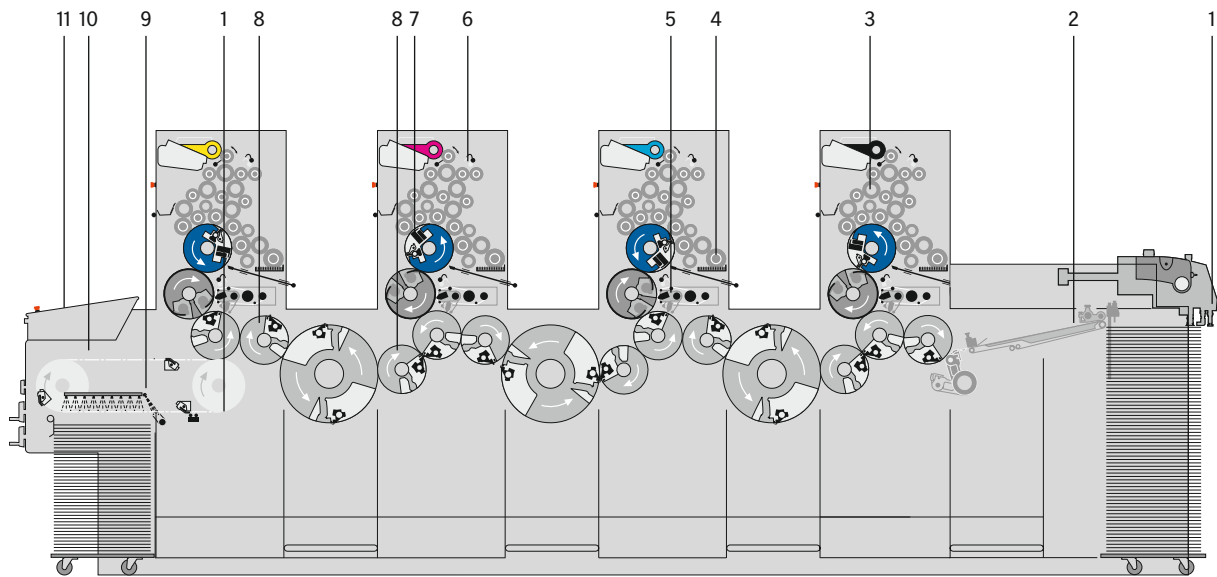
**The printing units – designed for productivity.** The printing units combine precision and cost-effectiveness. The fast plate changes made possible by the reliable, tried-and-tested AutoPlate clamping system efficiently reduce makeready times. Register settings can be adjusted in very small increments. The quantities of washup solution and water and the number of impression cylinder revolutions in the washup process can be adapted to the level of blanket or cylinder soiling. The necessary adjustments can be made using pre-defined programs or customized via the press control system. This has the advantage of reducing the consumption of washup solution and thus cutting costs while still ensuring optimum cleaning results. There are further significant cost benefits compared to washup systems with pre-dampened cloths.

**Inking and dampening system – quality for every single dot.** The rapid-response inking units deliver excellent color consistency and production stability. Depending on the configuration, they have either a laser-slit blade-type ink fountain or a remotely adjustable ink fountain with liner for fast and environmentally friendly cleaning. Automatically adjustable pre-inking and ink shutoff programs reduce setup waste significantly when changing inks. During job changes, settings are made either automatically using Intellistart or manually in the menu.

The speed-compensated Alcolor® dampening system produces an incredibly thin film of dampening solution and a stable ink/water balance.

**Mark-free sheet travel through the machine.** Smooth sheet travel is essential for consistently high print quality. The Speedmaster SM 52 and Speedmaster SM 74 use three transfer cylinders to transfer sheets between the printing units. In conjunction with the TransferJacket Blue transfer cylinder jacket, this ensures smooth, mark-free sheet travel at all speeds for reliable processing of a wide range of substrates.

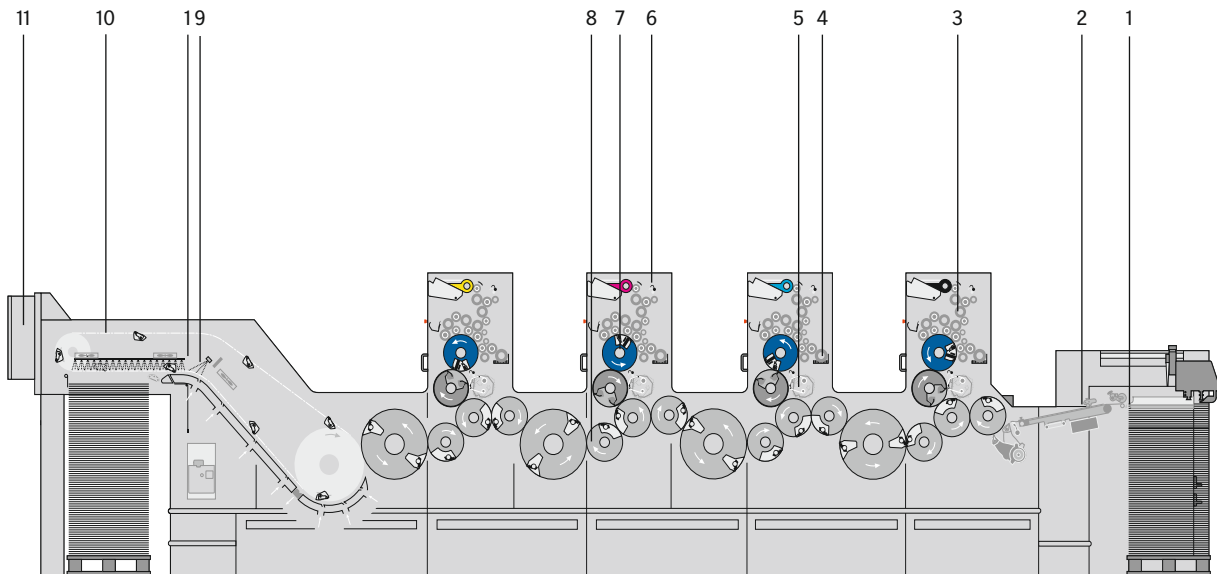
# Inside View of the Speedmaster SM 52



The press configuration shown here is a Speedmaster SM 52-4 with washup devices.

- 1 StaticStar Compact minimizes static charges and optimizes sheet travel when processing critical substrates.
- 2 Suction tape feeder for short makeready times during format and material changes. The suction head enables precise sheet separation.
- 3 Rapid-response inking unit for excellent color consistency. Presetting of ink zones via the Prinect Press Center Compact with remote ink control for fast job starts.
- 4 The speed-compensated Alcolor dampening system delivers optimum production stability.
- 5 Combined blanket and impression cylinder washup devices for simultaneous, program-controlled washing of all printing units.
- 6 The inking roller washup device cuts makeready times. Washup programs can be customized using the press control system.
- 7 AutoPlate, the register-accurate, automated plate clamping system for quick and precise plate changes that cut makeready times.
- 8 TransferJacket Blue ensures the smooth and controlled transfer of freshly printed sheets for excellent print quality and less cleaning.
- 9 Mediprint powder spray device for precise powder application.
- 10 Standard delivery with Super Blue delivery drum for reliable sheet delivery. Because no tools are required when changing formats, the process is quick and easy.
- 11 Control panel at the delivery displaying information for quick and easy control of dampening, ink, and register.

# Inside View of the Speedmaster SM 74



The press configuration shown here is a Speedmaster SM 74-4-H with washup devices.

- 1 StaticStar Compact minimizes static charges and optimizes sheet travel when processing critical substrates.
- 2 Suction tape feeder combining speed-compensated blast air, a central suction tape, and self-cleaning pneumatic pull lays with a large number of automated functions for quick format and substrate changes.
- 3 Rapid-response inking unit for excellent color consistency. Remote-control ink zone presetting is possible via the Prinect Press Center Compact.
- 4 Speed-compensated Alcolor dampening system with Vario function to prevent hickeys.
- 5 Combined blanket and impression cylinder washup devices for simultaneous, program-controlled washing of all printing units.
- 6 The inking roller washup device cuts makeready times. Washup programs can be customized using the press control system.
- 7 AutoPlate, the register-accurate, automated plate clamping system for quick and precise plate changes that cut makeready times.
- 8 TransferJacket Blue ensures the smooth and controlled transfer of freshly printed sheets for excellent print quality and less cleaning.
- 9 PowderStar AP 100 for precise powder application.
- 10 High-pile delivery with Venturi nozzle technology, integrated into the sheet guide plate for contact-free, air-cushioned sheet guidance. Because no tools are required when changing formats, the process is quick and easy.
- 11 Control panel with jogwheel at the delivery displaying information for quick and easy control of dampening, ink, and register.

The delivery – perfect piles for fast finishing. The standard delivery and – on the Speedmaster SM 74-4-H – the high-pile delivery ensure the precise stacking that is needed for fast and optimum finishing. Thanks to sheet joggers, brakes, and decurlers, blower bars, and fans, sheets are deposited on the pile with perfectly aligned edges. The Super Blue delivery drum on the standard delivery prevents scratches. Models with a high-pile delivery have Venturi nozzles for contact-free sheet guidance. The unit can be controlled from either the delivery control panels or the Prinect Press Center Compact for straightforward, central, and ergonomic operation.

The delivery is equipped with components designed for high productivity. The non-stop device optimizes the throughput times of long print runs, the powder spray device's efficient application reduces powder consumption, and the StaticStar Compact minimizes static charges while also optimizing stacking for fast finishing.



The compact standard delivery – ideal for short to medium runs.

#### The technology of the Speedmaster SM 52 and Speedmaster SM 74 at a glance:

- Central machine control at the Prinect Press Center Compact
- Suction tape feeder for smooth sheet alignment
- Venturi nozzles in the feeder for precise sheet alignment
- AutoPlate for fast plate changes and short makeready times
- Ink fountain liner for faster cleaning of ink fountains
- Speed-compensated Alcolor dampening system for stable quality
- Jacket technology for mark-free sheet travel
- Sheet joggers, brakes, and decurlers for piles with neatly aligned edges
- Speedmaster SM 74-4 available with standard or high-pile delivery

#### The advantages for your printing process:

**Makeready times:** AutoPlate, preset functions, and rapid-response inking units result in shorter makeready and setup times. No manual washing is required in models with automatic washup devices. • **Productivity:** You benefit from shorter throughput times with speeds of up to 15,000 sheets per hour. Perfect sheet travel enables stable production of a wide range of substrates. Piles with neatly aligned edges make for fast finishing. • **Quality:** Optimum interplay between inking unit and dampening system and the stable ink/water balance deliver excellent print results. TransferJacket Blue transfer jacket technology and the Super Blue delivery drum result in mark- and scratch-free production. • **Ergonomics:** The Prinect Press Center Compact and customized automation result in extremely straightforward operation. • **Environment:** Reliable sheet travel and the stable ink/water balance cut paper waste. Minimizing the consumption of washup solution has environmental benefits.

## Heidelberger Druckmaschinen AG

Kurfuersten-Anlage 52-60  
69115 Heidelberg  
Germany  
Phone +49 6221 92-00  
Fax +49 6221 92-6999  
[www.heidelberg.com](http://www.heidelberg.com)



### Publishing Information

Printed in: 03/12  
Photographs: Heidelberger Druckmaschinen AG  
Platemaking: Suprasetter  
Printing: Speedmaster  
Finishing: Stahlfolder  
Consumables: Saphira  
Fonts: HeidelbergGothicML  
Printed in Germany

### Trademarks

Heidelberg, the Heidelberg logotype, Alcolor, Intellistart, PowderStar, Prinect, Prinect Press Center, Saphira, Speedmaster, Stahlfolder, StaticStar and Suprasetter are registered trademarks of Heidelberger Druckmaschinen AG in the U.S. and other countries. All other trademarks are property of their respective owners.

For details on the emissions of the Speedmaster SM 52 and the Speedmaster SM 74, please visit us at [www.heidelberg.com/emissiondetails](http://www.heidelberg.com/emissiondetails)

**Subject to technical modifications and other changes.**