

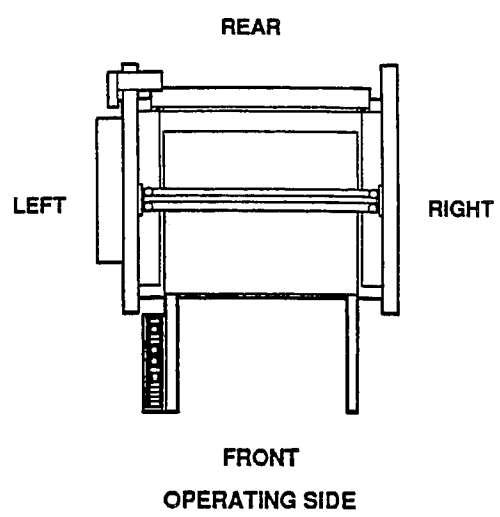
ORIGINAL

svedia MATIC

SM

SPARE PARTS LIST X01

Whenever referring to the sides or front/rear of the machine in general terms, please use direction as indicated on this sketch.



Attention!

When ordering please mention machine type, machine size, serial number and manufacturing year together with the spare part number.

Ex: For **SM** **880x1250** **30999** **87** spare parts number **X01-21-03**
 type size serial number manufacturing year Machine Code Page number Detail number

01.09.1988



Postal address
 S-145 81 NORSBORG
 Sweden

Office address
 Kumla gårdsväg
 Eriksbergs Ind.omr.

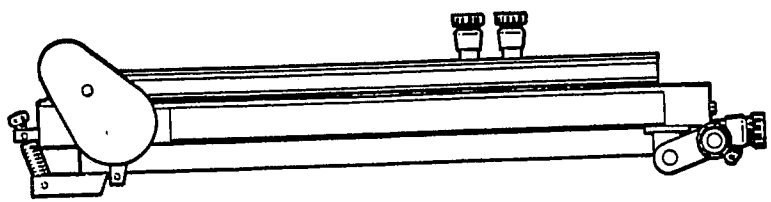
Telephone
 0753-690 00
 + 46 753 690 00

Cable address
 Sveciascreen
 Stockholm

Telex
 11297
 svecia s

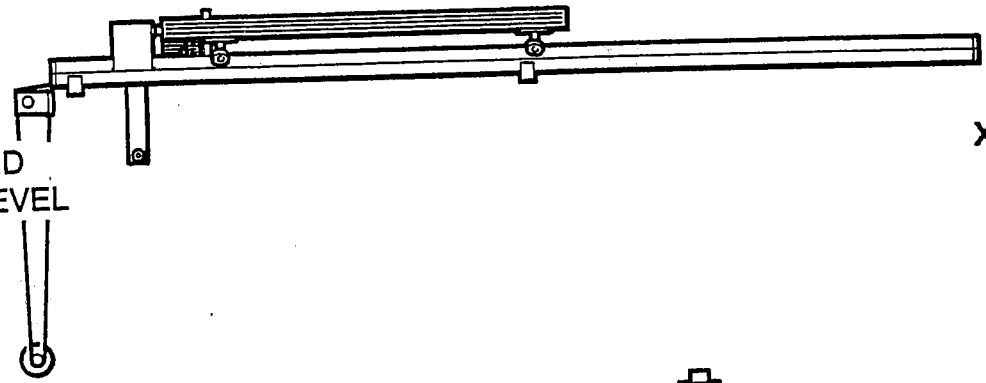
Bankers
 Götabanken
 Stockholm

PRINTING HEAD



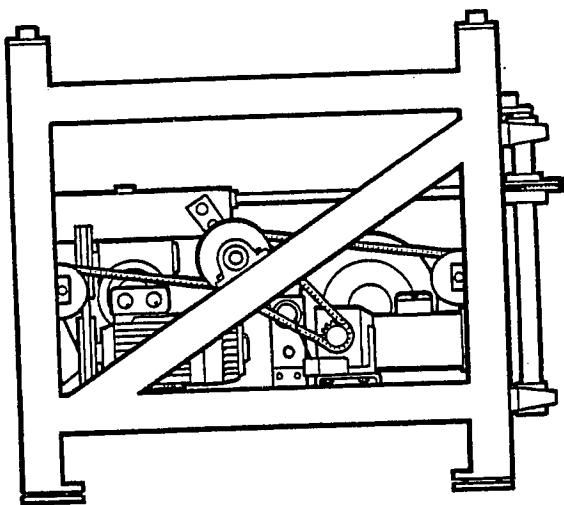
Page
X01-10

FEEDING AND
PRINTING LEVEL



X01-20

POWERPLANT



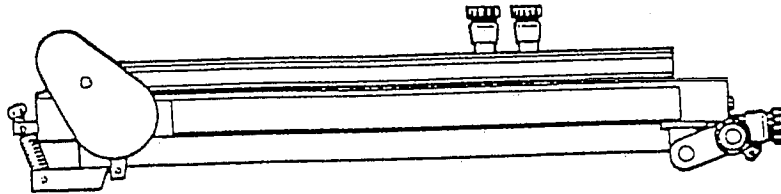
X01-30

COVERPLATES



X01-40

FOR EL-EQUIPMENT SEE ELECTRICAL DIAGRAM



SQUEEGEE AND FLOOD BAR > 1989	X01-11A
SQUEEGEE AND FLOOD BAR < 1989	X01-11B
SQUEEGEE CARRIAGE	X01-12
SQUEEGEE DRIVE SYSTEM	X01-13
FRAME HOLDING SYSTEM	X01-14
ADJUSTABLE RELEASE	X01-15
PNEUMATIC TURN OVER SYSTEM	X01-16
SQUEEGEE DRIVE SYSTEM, TOOTHBELT > 1995	X01-17
SQUEEGEE DRIVE SYSTEM, TOOTHBELT < 1995	X01-18
PNEUMATIC SQUEEGEE PRESSURE EQUALIZER > 1989	X01-19A
PNEUMATIC SQUEEGEE PRESSURE EQUALIZER < 1989	X01-19B

SVECIA
SM-01

Machine unit description

Squeegee / Flood bar

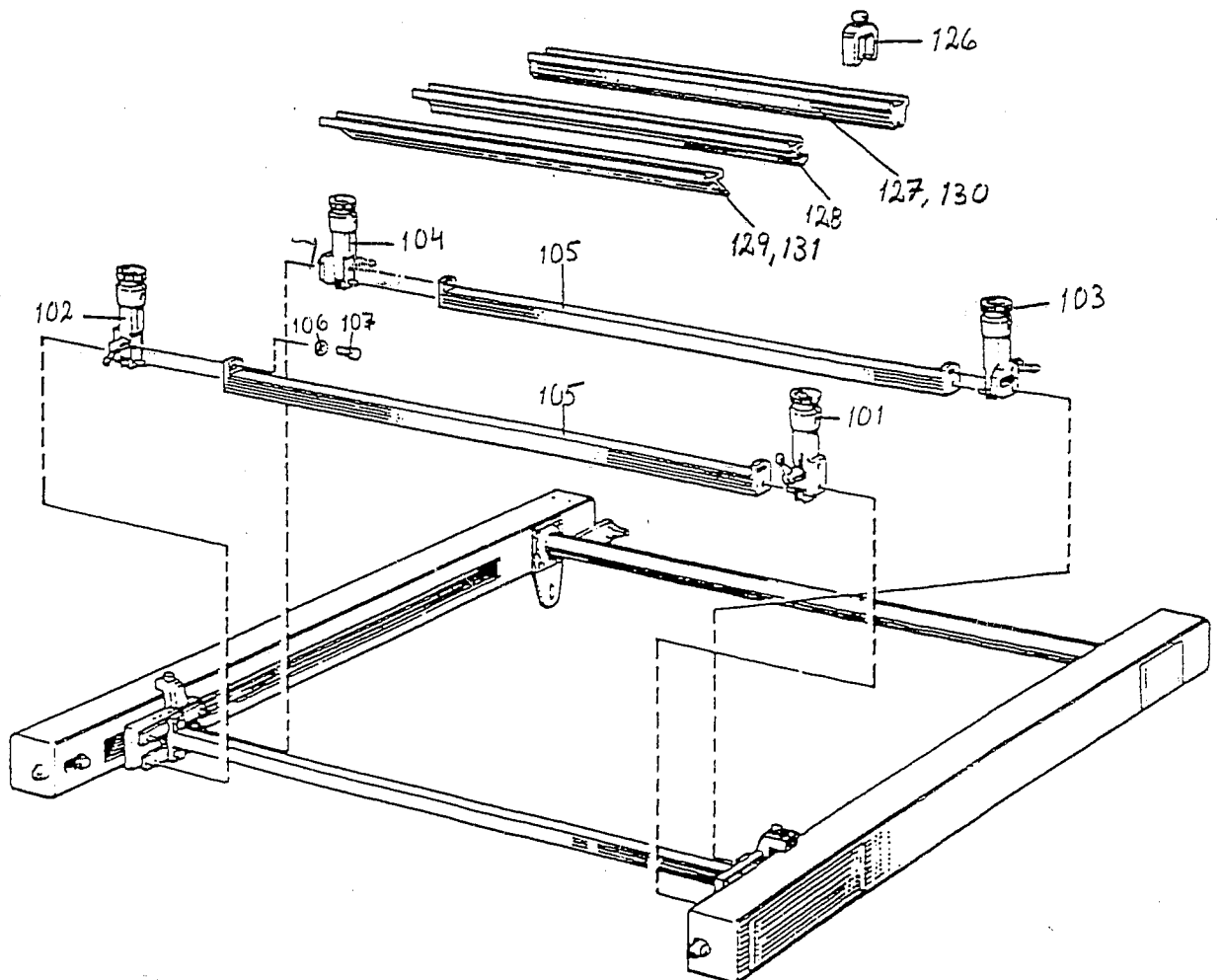
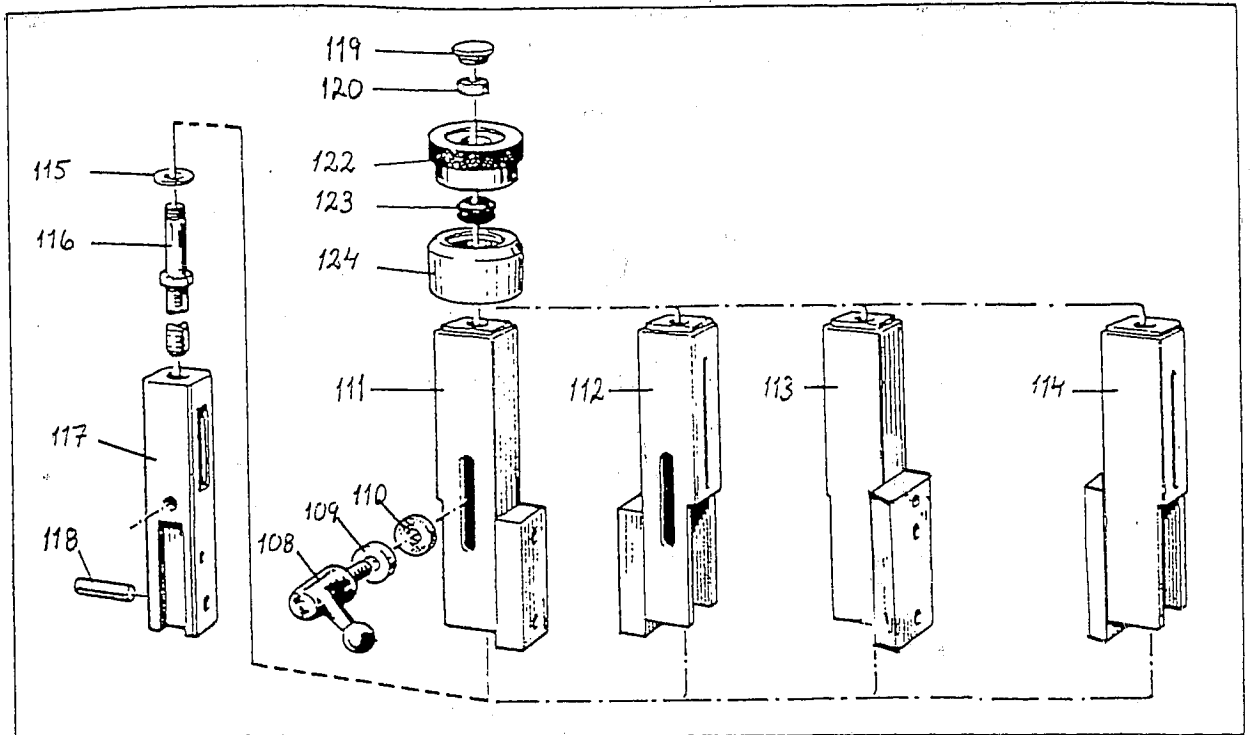
DL

"X"

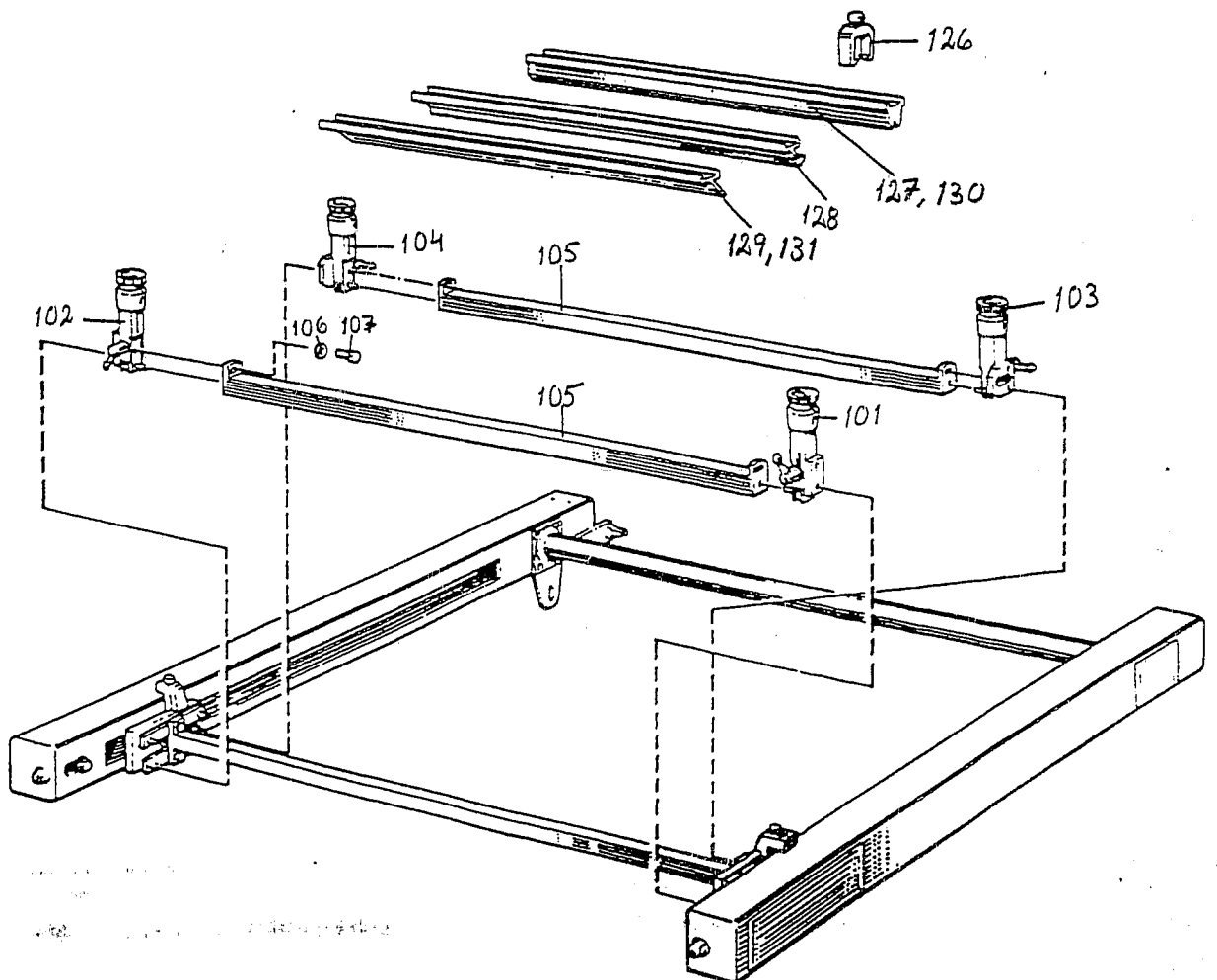
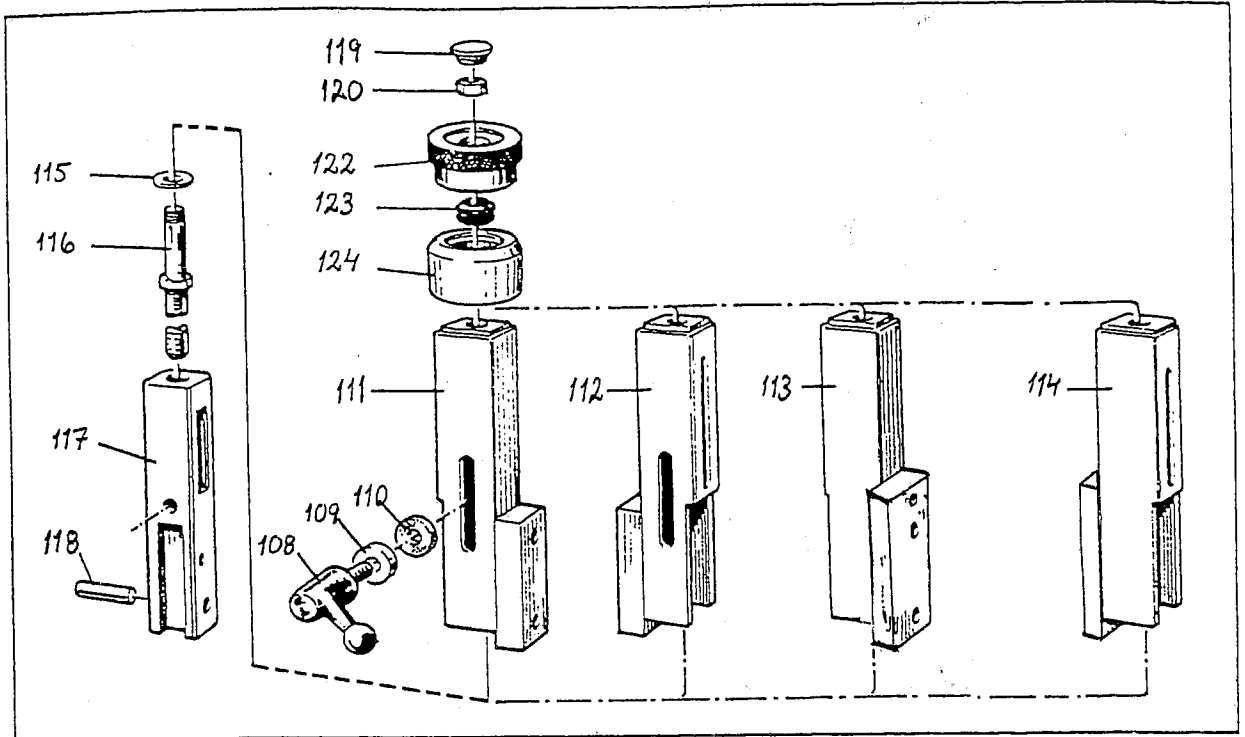
Page

X01-11B

Item	Part No.	Qty	Description	Notes
105	02-30957-61	2	Bar L = 1121 mm	SM 50-70
	02-30957-62	2	Bar L = 1271 mm	SM A1
	02-30957-63	2	Bar L = 1421 mm	SM 70-100
	02-30957-64	2	Bar L = 1621 mm	SM A0
127a	02-30031-01	R	Squeegee profile	L = 5000 mm
	02-30031-01-	R	Squeegee profile	Without rubber
	02-30031-01+	R	Squeegee profile	With rubber
127b	925050165	R	Squeegee rubber "Serilor red"	3000x35x7 PO 65 S
	925050175	R	Squeegee rubber "Serilor green"	3000x35x7 PO 75 S
	925050265	R	Squeegee rubber "Serilor red"	3000x45x10 PO 65 S
	925050275	R	Squeegee rubber "Serilor green"	3000x45x10 PO 75 S
	925051696	R	Squeegee rubber "Serithane"	3000x35x7 PO 65/95/65 SH
	925051697	R	Squeegee rubber "Serithane"	3000x35x7 PO 65/95/75 SH
128	02-30032-01	R	Floodcoater profile	L = 5000 mm
	02-30032-01B	R	Floodcoater profile	
129	02-30163-01	R	Floodcoater profile "Special"	L = 5000 mm
	02-30163-01B	R	Floodcoater profile "Special"	



SVECIA SM-01		Machine unit description Squeegee / Flood bar		DL "X"	Page X01-11
Item	Part No.	Qty	Description	Notes	
101	02-40492-61	1	Height adjustment cpl.right "Floodcoater"		
102	02-40492-62	1	Height adjustment cpl.left "Floodcoater"		
103	26-40672-61	1	Height adjustment cpl.right "Squeegee"		
104	26-40672-62	1	Height adjustment cpl.left "Squeegee"		
105	02-30957-??	2	Bar	See page X01-11B	
106	934116030	4	Washer	BRB 8,4x16x3	
107	938000084	2	Screw	M6S M8x25	
	969703167	2	Locking lever	MR 63 P M8x25	
108	969703168	4	Locking lever	MR 63 P M8x1x25	
109	934226050	4	Washer	TBR SB 8,4x26x5	
110	01-40653-03	4	Fibre washer	8x25	
111	40-32734-61	1	Housing, right "Floodcoater"		
112	40-32734-62	1	Housing, left "Floodcoater"		
113	25-30577-61	1	Housing, right "Squeegee"		
114	25-30577-62	1	Housing, left "Squeegee"		
115	01-40408-01	8	Brass washer		
116	01-40409-06	4	Adjusting screw	L= 80 mm	
	935395010	4	Key	Woodruff 2x4x10	
117	02-30489-01	1	Slipper, right "Floodcoater"		
	02-30489-02	1	Slipper, left "Floodcoater"		
	02-30946-01	1	Slipper, right "Squeegee"		
	02-30946-02	1	Slipper, left "Squeegee"		
	932302008	4	Pin "Scale mark"	S7 2x8	
118	932010044	4	Pin	CPK 10x30	
119	969702160	4	Cap	38-443-05	
120	935035080	4	Locking nut	LM6M M8	
121	?				
122	01-30982-01	4	Adjusting knob		
123	933423808	8	Saucer washer	23x8,2x0,8	
124	02-40519-01	4	Scale hull		
	936806012	8	Stop screw	SK6SS M6x12	
125	?				
126	01-40587-62	4	Squeegee holder		
127	02-30031-??	R	Squeegee	See page X01-11B	
128	02-30032-??	R	Floodcoater "Normal"	See page X01-11B	
129	02-30163-??	R	Floodcoater "Special"	See page X01-11B	
130	02-40098-01	R	Squeegee endpacking		
131	929900016	R	Edge cover	Floodcoater profile	



SVECIA
SM-01

Machine unit description

Squeegee / Flood bar

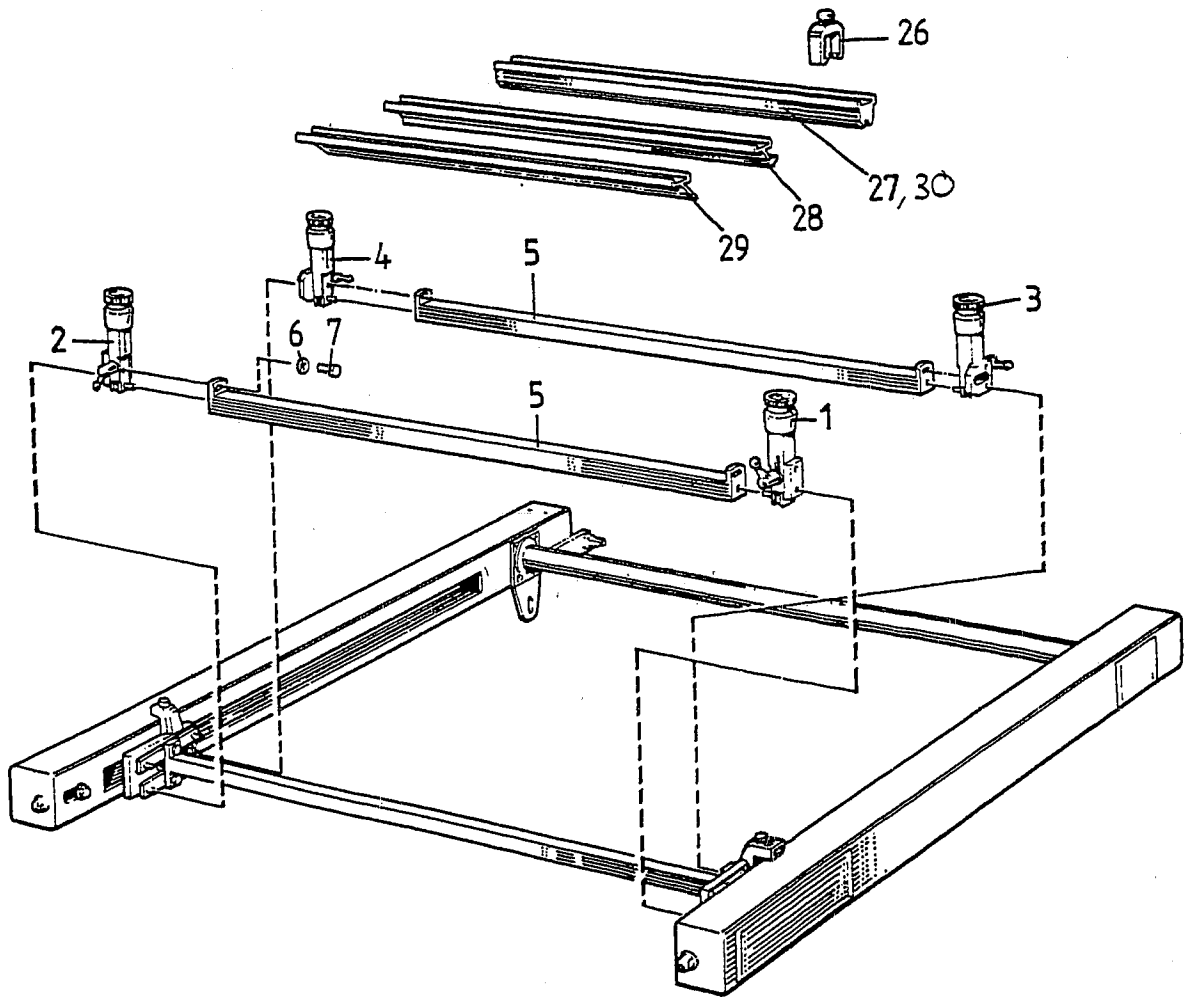
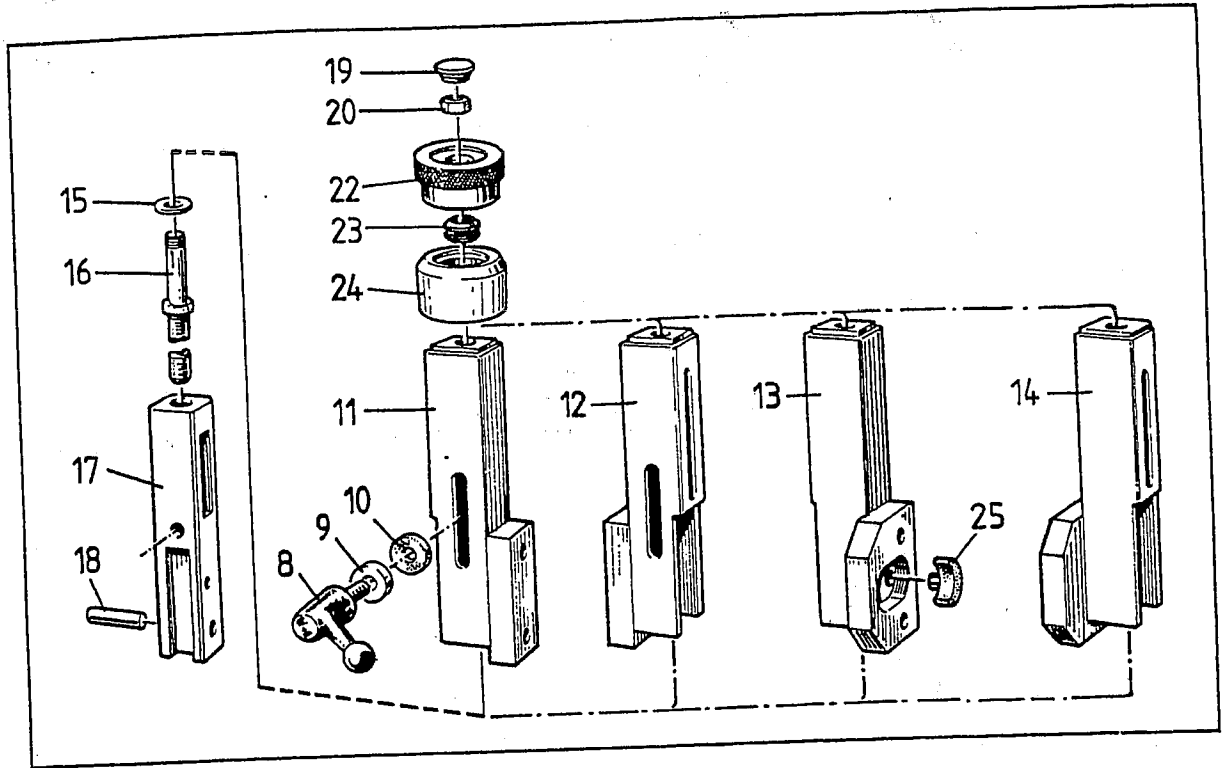
DL

"X"

Page

X01-11B

Item	Part No.	Qty	Description	Notes
5	02-30957-61	2	Bar L = 1121 mm	SM 50-70
	02-30957-62	2	Bar L = 1271 mm	SM A1
	02-30957-63	2	Bar L = 1421 mm	SM 70-100
	02-30957-64	2	Bar L = 1621 mm	SM A0
27a	02-30031-01	R	Squeegee profile	L = 5000 mm
	02-30031-01-	R	Squeegee profile	Without rubber
	02-30031-01+	R	Squeegee profile	With rubber
27b	925050165	R	Squeegee rubber "Serilor red"	3000x35x7 PO 65 S
	925050175	R	Squeegee rubber "Serilor green"	3000x35x7 PO 75 S
	925050265	R	Squeegee rubber "Serilor red"	3000x45x10 PO 65 S
	925050275	R	Squeegee rubber "Serilor green"	3000x45x10 PO 75 S
	925051696	R	Squeegee rubber "Serithane"	3000x35x7 PO 65/95/65 SH
	925051697	R	Squeegee rubber "Serithane"	3000x35x7 PO 65/95/75 SH
28	02-30032-01	R	Floodcoater profile	L = 5000 mm
	02-30032-01B	R	Floodcoater profile	L = X ANTA L mm LINGE
29	02-30163-01	R	Floodcoater profile "Special"	L = 5000 mm
	02-30163-01B	R	Floodcoater profile "Special"	



SVECIA
SM-01

Machine unit description

Squeegee / Floodbar

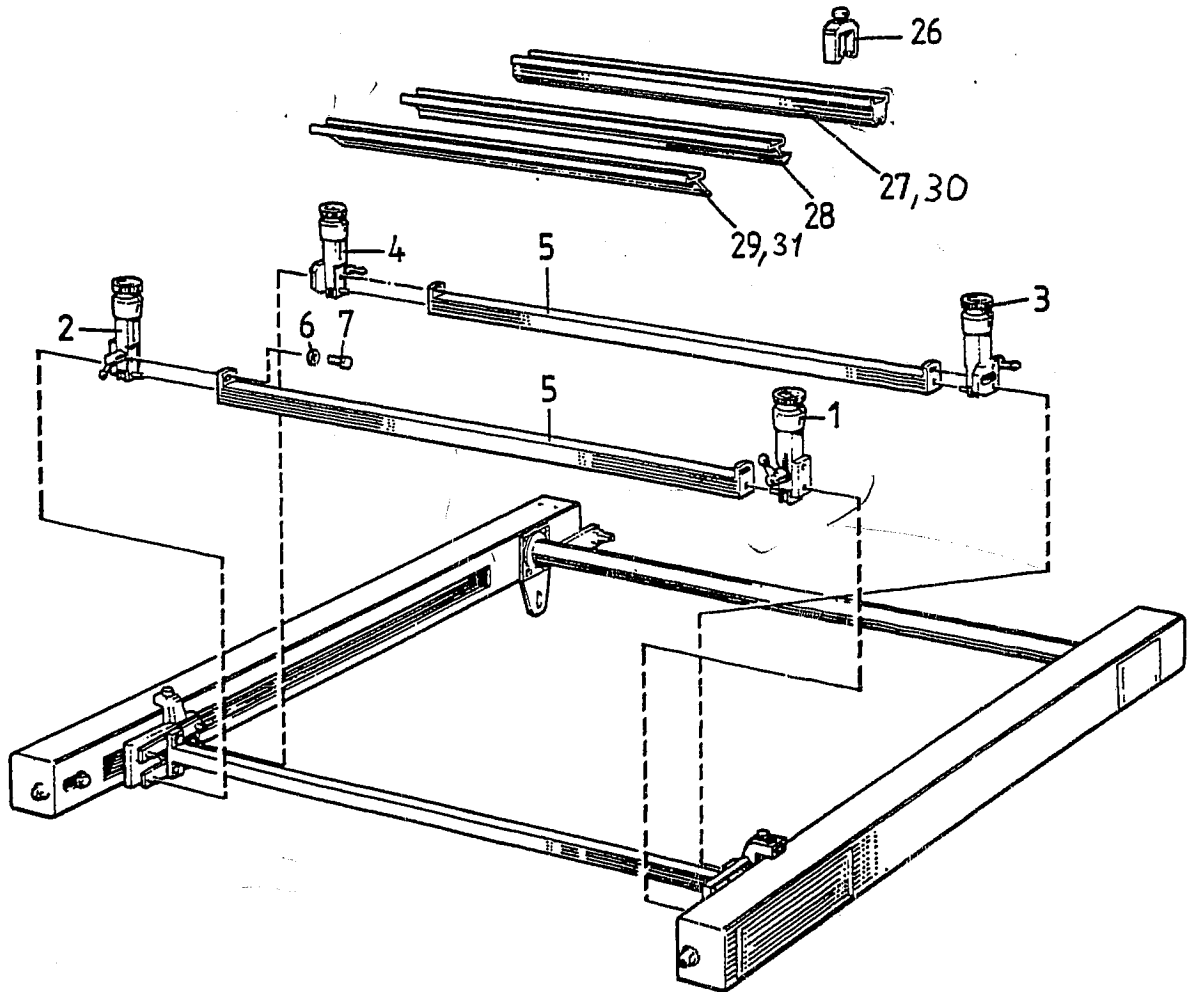
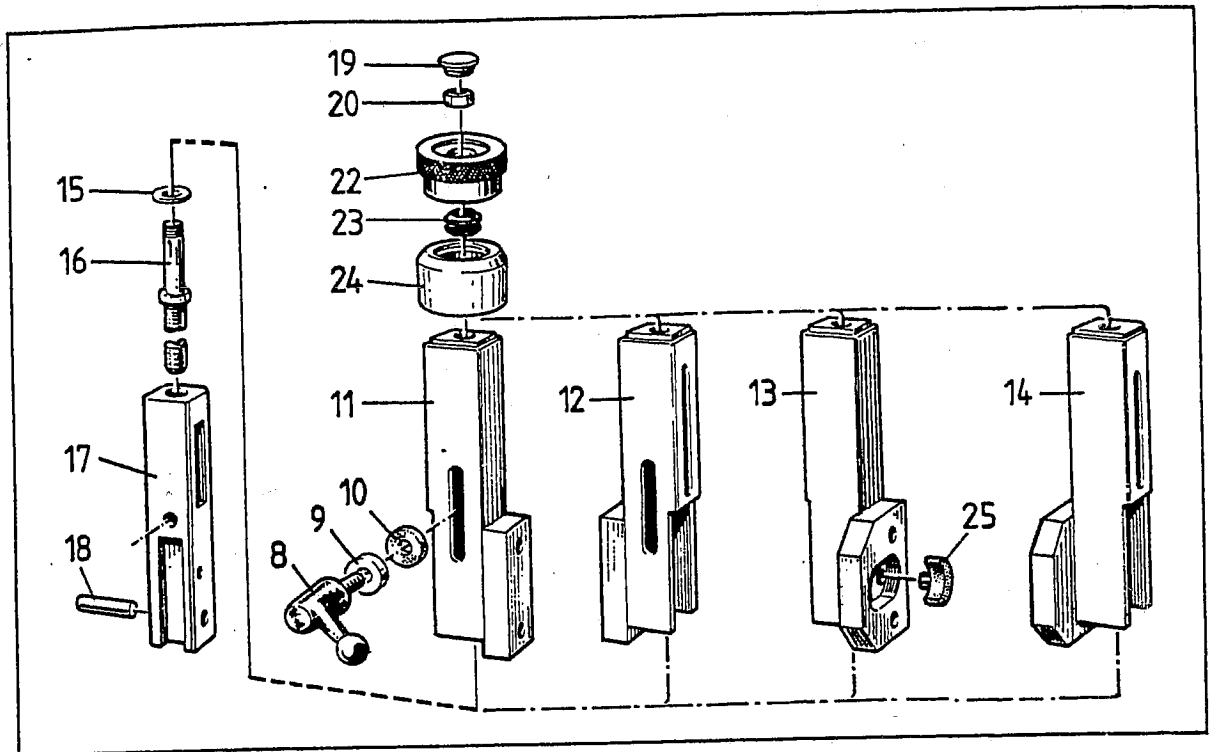
DL

"X"

Page

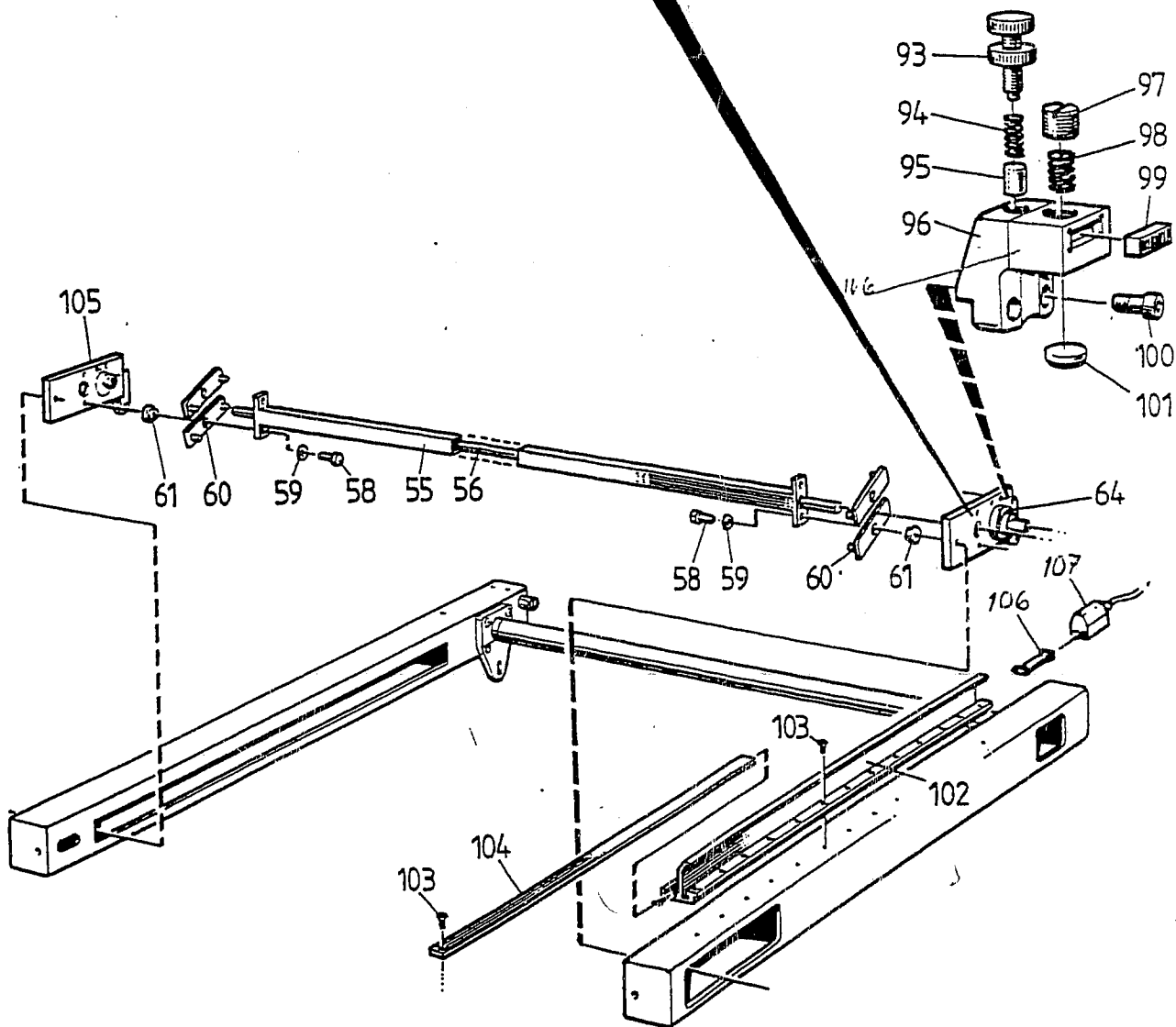
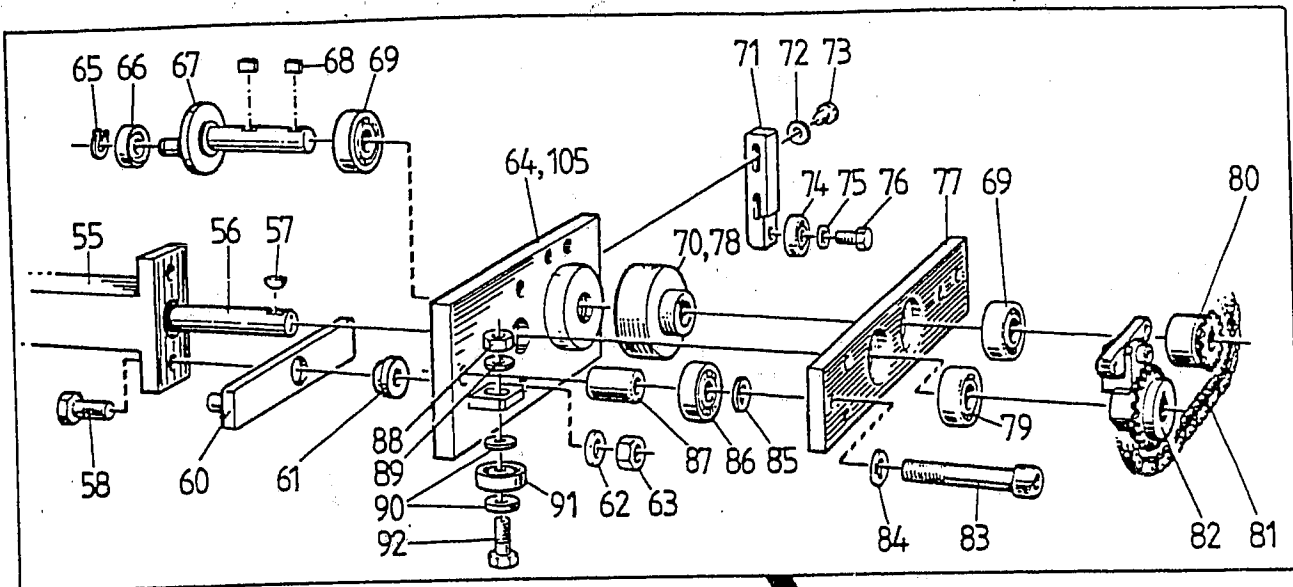
X01-11

Item	Part No.	Qty	Description	Notes
1	02-40492-61	1	Height adjustment cpl.right "Floodcoater"	
2	02-40492-62	1	Height adjustment cpl.left "Floodcoater"	
3	02-40493-61	1	Height adjustment cpl.right "Squeegee"	
4	02-40493-62	1	Height adjustment cpl.left "Squeegee"	
5	02-30957-??	2	Bar	
6	934116030	4	Washer	See page X01-11B
7	938000084	2	Screw	BRB 8,4x16x3
	969703167	2	Locking lever	M6S M8x25
8	969703168	4	Locking lever	MR 63 P M8x25
9	934226050	4	Washer	MR 63 P M8x1x25
10	01-40653-03	4	Fibre washer	TBRBSB 8,4x26x5
11	40-32734-61	1	Housing, right "Floodcoater"	8x25
12	40-32734-62	1	Housing, left "Floodcoater"	REPLACED WITH 40-31729-61 LER
13	02-40491-62	1	Housing, right "Squeegee"	- " -
14	02-40491-61	1	Housing, left "Squeegee"	- " -
15	01-40408-01	8	Brass washer	
16	01-40409-06	4	Adjusting screw	L= 80 mm
	935395010	4	Key	Woodruff 2x4x10
17	02-30489-01	1	Slipper, right "Floodcoater"	
	02-30489-02	1	Slipper, left "Floodcoater"	
	02-30946-01	1	Slipper, right "Squeegee"	
	02-30946-02	1	Slipper, left "Squeegee"	
	932302008	4	Pin "Scale mark"	S7 2x8
18	932010044	4	Pin	CPK 10x30
19	969702160	4	Cap	38-443-05
20	935035080	4	Locking nut	LM6M M8
21	?			
22	01-30982-01	4	Adjusting knob	
23	933423808	8	Saucer washer	
24	02-40519-01	4	Scale hull	23x8,2x0,8
	936806012	8	Stop screw	
25	02-40857-01	2	Damper	SK6SS M6x12
26	01-40587-62	4	Squeegee holder	
27	02-30031-??	R	Squeegee	
28	02-30032-??	R	Floodcoater "Normal"	See page X01-11B
29	02-30163-??	R	Floodcoater "Special"	See page X01-11B
	929900016	R	Edge cover	See page X01-11B
30	02-40098-01	R	Squeegee endpacking	Floodcoater profile
*			HOUSING CPL RIGHT & LEFT 40-31730-61	



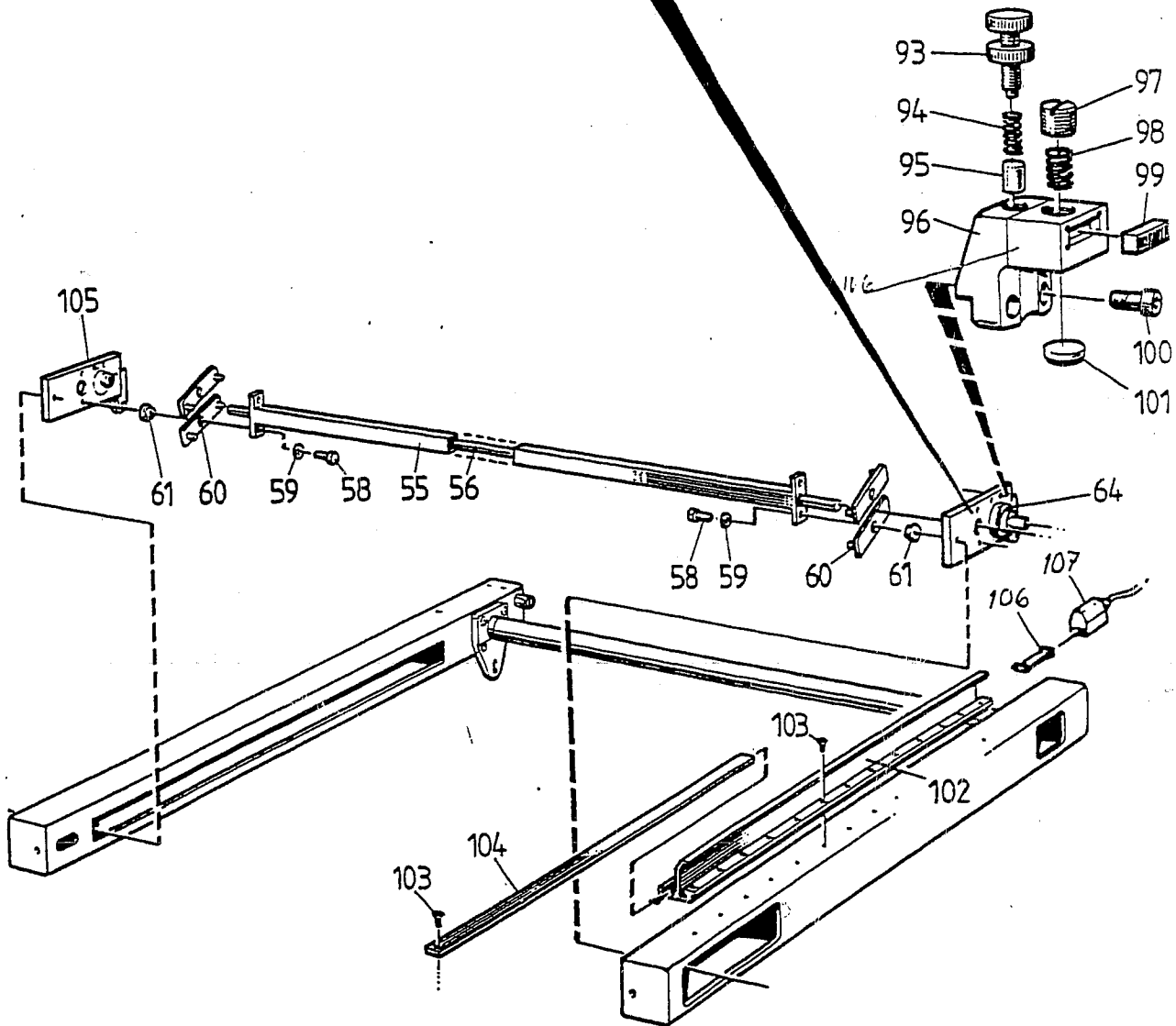
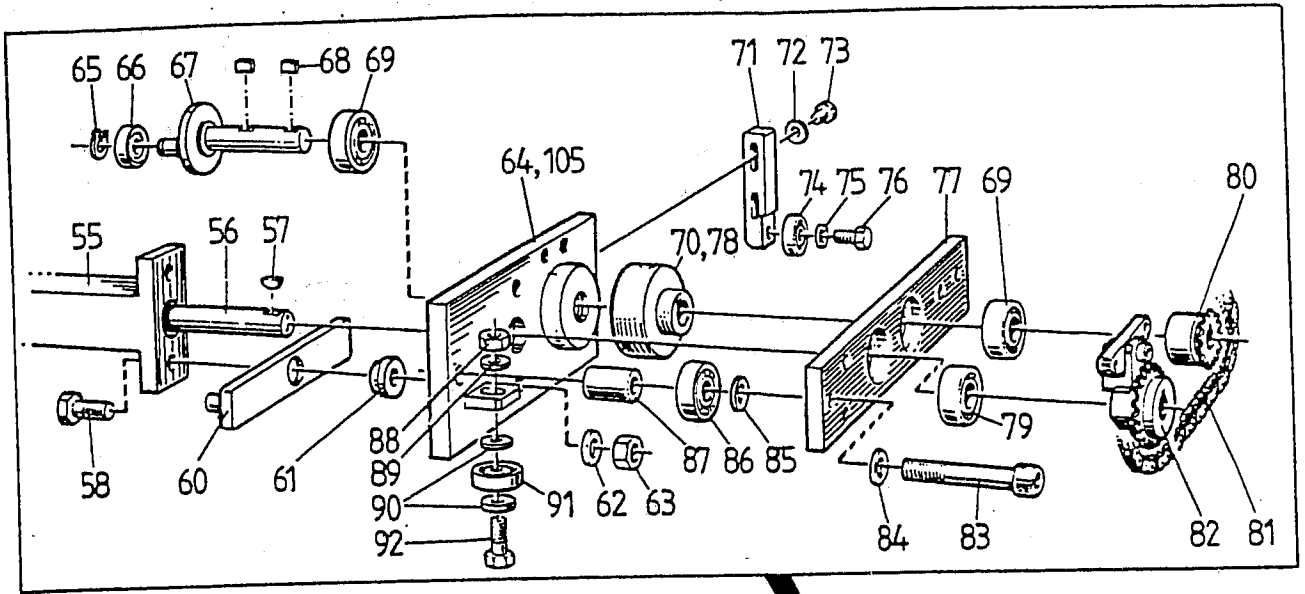
SVECIA SM-01	Machine unit description Squeegee carriage, driving part	DL "X"	Page 01-12C
-------------------------------	--	------------------	-----------------------

Item	Part No.	Qty	Description	Notes
55	02-30953-61 02-30953-62 02-30953-63 02-30953-64	1 1 1 1	Center bar L= 1227 mm Center bar L= 1377 mm Center bar L= 1527 mm Center bar L= 1727 mm	SM 50-70 SM A1 SM 70-100 SM A0
56	01-43063-01 01-43063-02 01-43063-03 01-43063-04	1 1 1 1	Synchron shaft L= 1440 mm Synchron shaft L= 1590 mm Synchron shaft L= 1740 mm Synchron shaft L= 1940 mm	SM 50-70 SM A1 SM 70-100 SM A0
102	01-30659-01 01-30659-02 01-30659-03 01-30659-04	2 2 2 2	Guide L= 1050 mm Guide L= 1150 mm Guide L= 1250 mm Guide L= 1350 mm	SM 50-70 SM A1 SM 70-100 SM A0
104	01-33123-01 01-33123-02 01-33123-03 01-33123-04	2 2 2 2	Brake ledge L= 990 mm Brake ledge L= 1090 mm Brake ledge L= 1190 mm Brake ledge L= 1330 mm	SM 50-70 SM A1 SM 70-100 SM A0

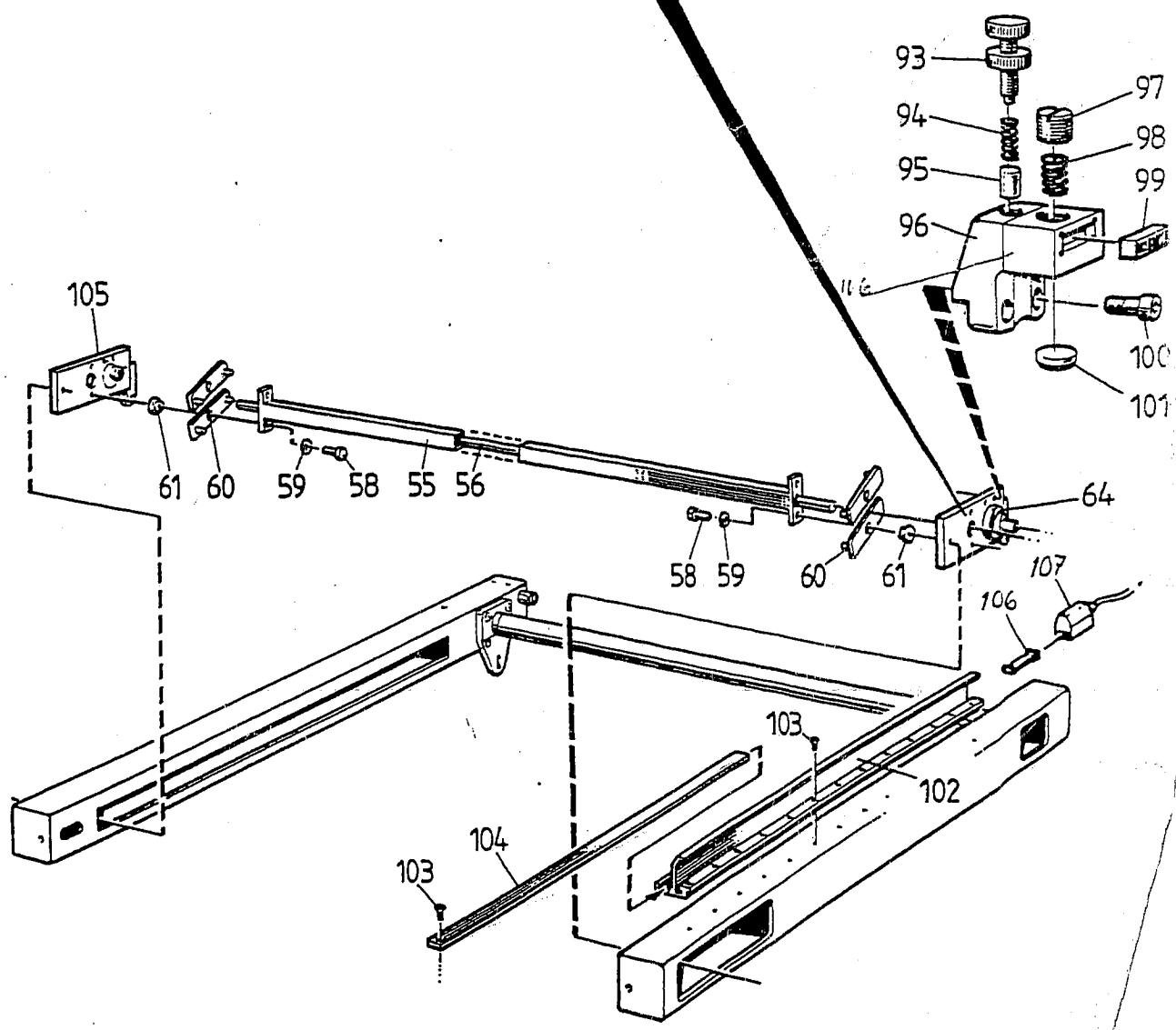
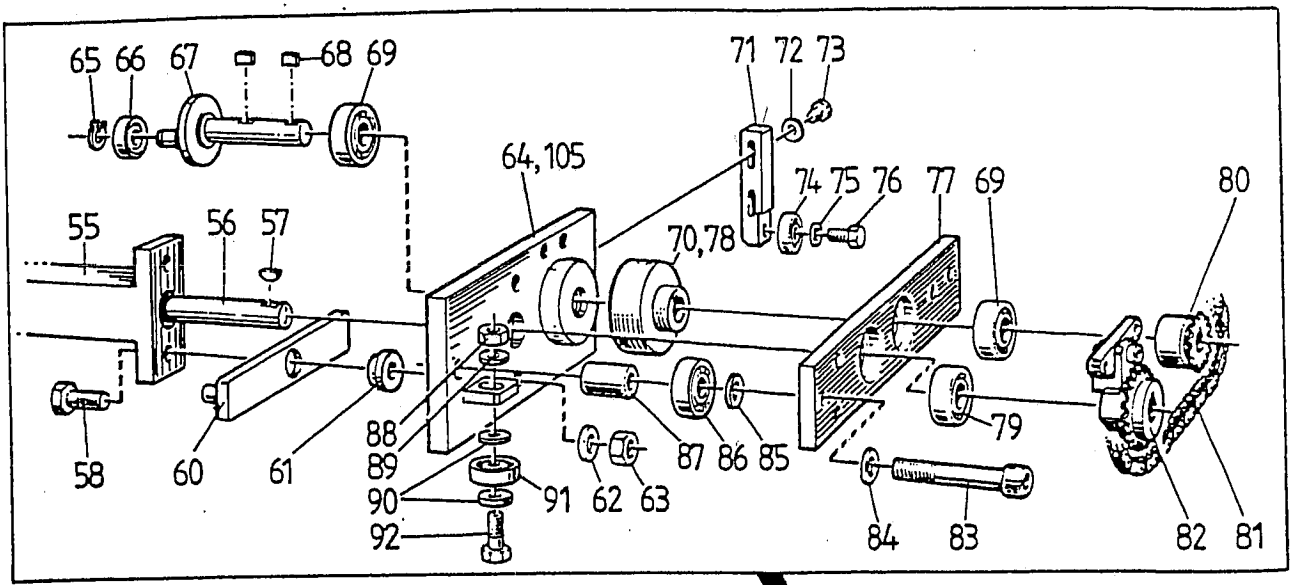


SVECIA SM-01	Machine unit description Squeegee carriage	DL "X"	Page X01-12B
-------------------------------	--	------------------	------------------------

Item	Part No.	Qty	Description	Notes
102	01-30659-??	2	Guide	See page 01-12C
103	937605012	4	Screw	MF6S M5x12
	937605020	4	Screw	MF6S M5x20
104	01-33123-??	2	Brake ledge	See page 01-12C
105	02-30696-61	1	Carriage bracket "Left"	
106	01-40374-01	R	Blade spring for SO 4	
107	975850004	R	SO-4 " 1 m "	
	975850005	R	SO-4 " 3 m "	
	971520002	R	MALE PLUG	STAS - 2

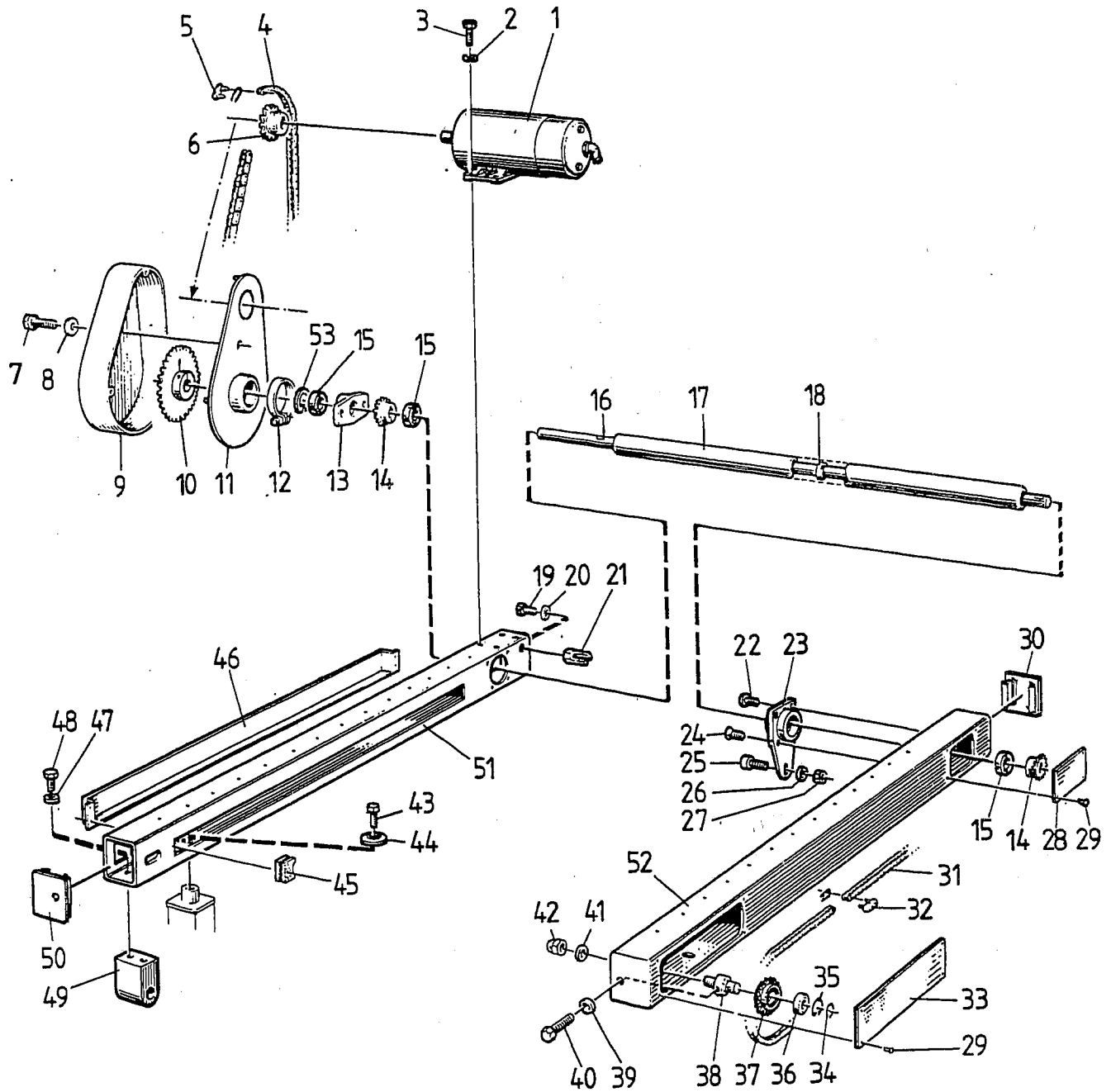


SVECIA SM-01		Machine unit description Squeegee carriage		DL "X"	Page X01-12
Item	Part No.	Qty	Description	Notes	
55	02-30953-??	1	Center bar	See page 01-12C	
56	01-43063-??	1	Synchron shaft	See page 01-12C	
57	935305020	2	Key	5x5x20	
58	938000109	4	Screw	M6S M10x40	
59	934022020	4	Washer	BRB 10,5x22x2	
60	02-40779-01	4	Slewing bracket		
61	01-40296-02	4	Spacer		
62	934022020	4	Washer	BRB 10,5x22x2	
63	935010100	4	Nut	M6M M10	
64	02-30696-62	1	Carriage bracket "Right"		
65	932900012	2	Groove ring	SgA 12	
66	948501054	2	Ball bearing	6201 2Z	
67	01-33073-01	2	Eccentric shaft		
68	935305016	4	Key	5x5x16	
69	948510023	4	Ball bearing	1202	
70	02-40552-02	1	Friction disc "Right"		
	936806012	2	Stop screw	SK6SS M6x12	
71	25-40310-01	2	Bearing holder		
72	934012015	4	Washer	BRB 6,4x12x1,5	
73	938001058	4	Screw	M6S M6x20	
74	948598020	2	Stud roller	NATR-8X	
75	934016015	2	Washer	BRB 8,4x16x1,5	
76	937408030	2	Screw	K6S M8x30	
77	01-33074-01	2	Bearing bracket		
78	02-40552-01	1	Friction disc "Left"		
	936806012	2	Stop screw	SK6SS M6x12	
79	948501092	2	Ball bearing	6202 2Z	
80	01-43068-01	2	Sprocket		
	936806006	4	Stop screw	SK6SS M6x6	
81	948400028	2	Chain "8 mm" 948400001	L=216 mm / 27 L	
	948400104	2	Chain link "8 mm"	Nr: 30	
	948400103	2	Chain lock "8 mm"	Nr: 26	
82	01-43099-61	2	Lever sprocket cpl.		
	936806008	4	Stop screw	SK6SS M6x8	
83	938110128	4	Screw	MC6S M10x55	
84	934018020	4	Washer	BRB 10x18x2	
85	934022020	4	Washer	BRB 10,5x22x2	
86	948501021	4	Ball bearing	6200 2Z	
87	01-40296-01	4	Spacer		
88	935047060	2	Locking nut	LM6MF M6	
89	934114030	2	Washer	TBRB 6,7x14x3	
90	934012015	2	Washer	BRB 6,4x12x1,5	
91	948500031	2	Ball bearing	626 2Z	
92	938000060	2	Screw	M6S M6x25	
93	02-40943-01	2	Adjusting screw		
	47-40557-01	2	Counter nut		
94	01-40107-27	2	Spring		
95	01-43513-01	2	Friction shoe " Replacing 948902999 "	KERA	
96	00-40646-01	2	Bracket	Turning brake	
	00-40644-03	1	Holder "Right"	Brake	
	00-40644-01	1	Holder "Left"	Brake, magnet	
	938110081	4	Screw	MC6S M6x30	
97	01-40992-01	2	Press screw	Brass	
98	938712900	2	Spring	Stece 12900	
99	991901845	1	Magnet	Eclipse 845 E	
100	938110077	4	Screw	MC6S M6x18	
101	948902998	2	Friction shoe	WOOD	



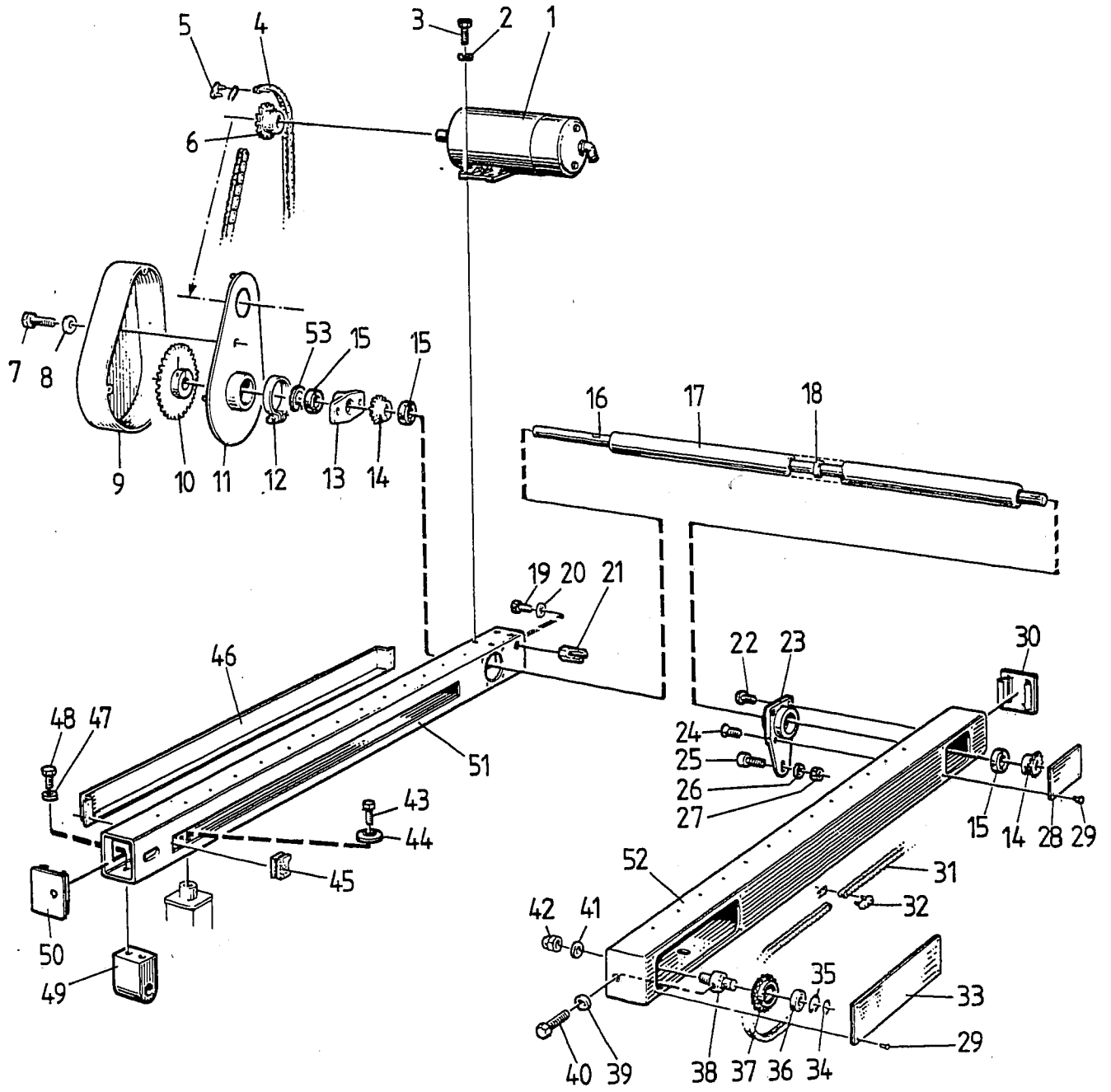
SVECIA SM-01	Machine unit description Squeegee drive system	DL "X"	Page X01-13C
-------------------------------	--	------------------	------------------------

Item	Part No.	Qty	Description	Notes
16	01-40849-02	1	Drive shaft L= 1515 mm	SM 50-70
	01-40849-03	1	Drive shaft L= 1665 mm	SM A1
	01-40849-04	1	Drive shaft L= 1815 mm	SM 70-100
	01-40849-06	1	Drive shaft L= 2015 mm	SM A0
17	01-40592-06	1	Security tube L= 1293 mm	SM 50-70
	01-40592-04	1	Security tube L= 1443 mm	SM A1
	01-40592-05	1	Security tube L= 1593 mm	SM 70-100
	01-40592-03	1	Security tube L= 1793 mm	SM A0
31	948400002	2	Squeegee chain 3/8" L= 2424 mm	SM 50-70
	948400002	2	Squeegee chain 3/8" L= 2638 mm	SM A1
	948400002	2	Squeegee chain 3/8" L= 2829 mm	SM 70-100
	948400002	2	Squeegee chain 3/8" L= 3038 mm	SM A0
51	01-23061-02	1	Beam " Left " L= 1425 mm	SM 50-70
	01-23061-03	1	Beam " Left " L= 1525 mm	SM A1
	01-23061-04	1	Beam " Left " L= 1625 mm	SM 70-100
	01-23061-05	1	Beam " Left " L= 1725 mm	SM A0
52	01-23060-02	1	Beam " Right " L= 1425 mm	SM 50-70
	01-23060-03	1	Beam " Right " L= 1525 mm	SM A1
	01-23060-04	1	Beam " Right " L= 1625 mm	SM 70-100
	01-23060-05	1	Beam " Right " L= 1725 mm	SM A0

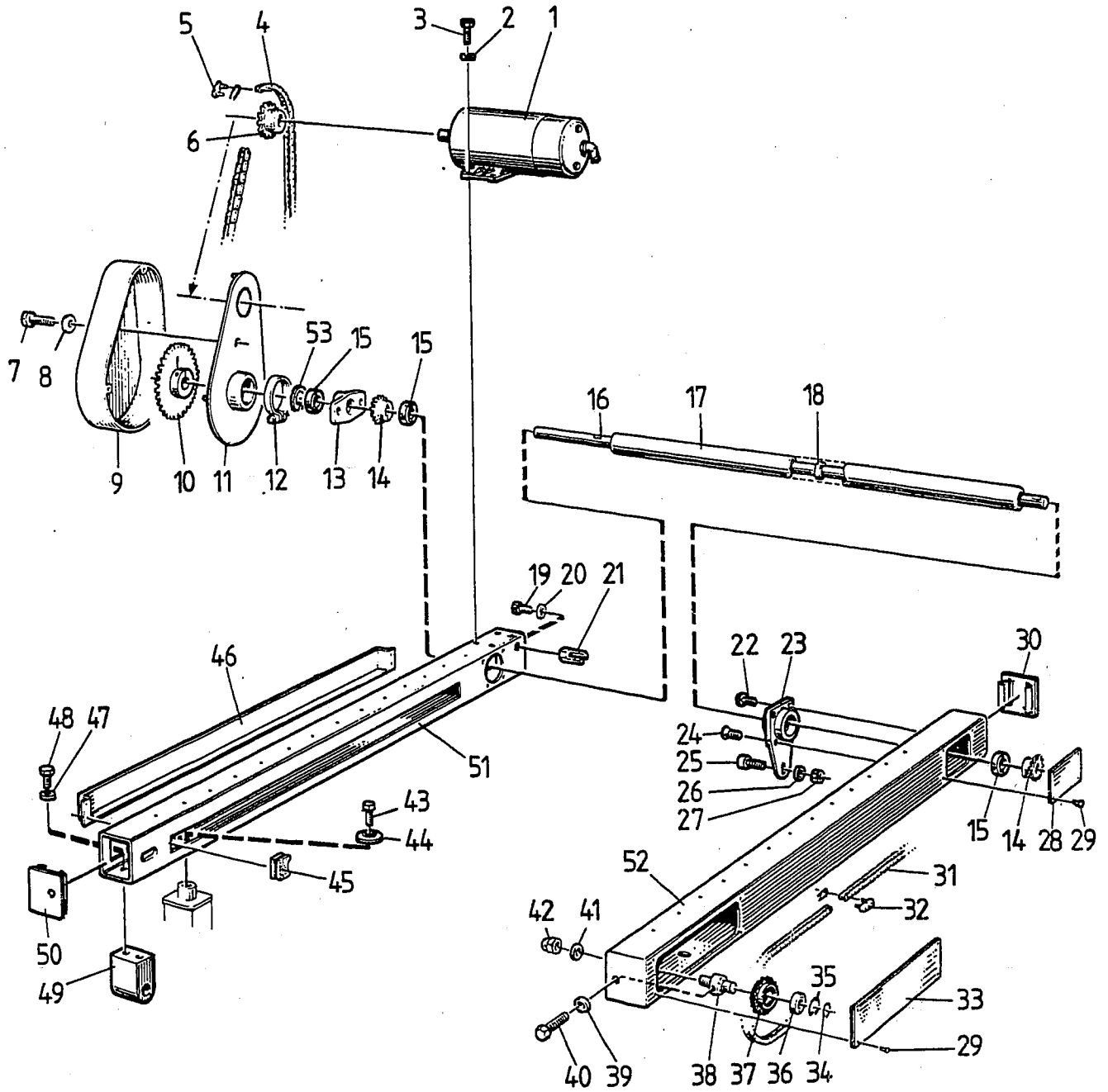


SVECIA SM-01	Machine unit description	DL	Page
	Squeegee drive system	"X"	X01-13B

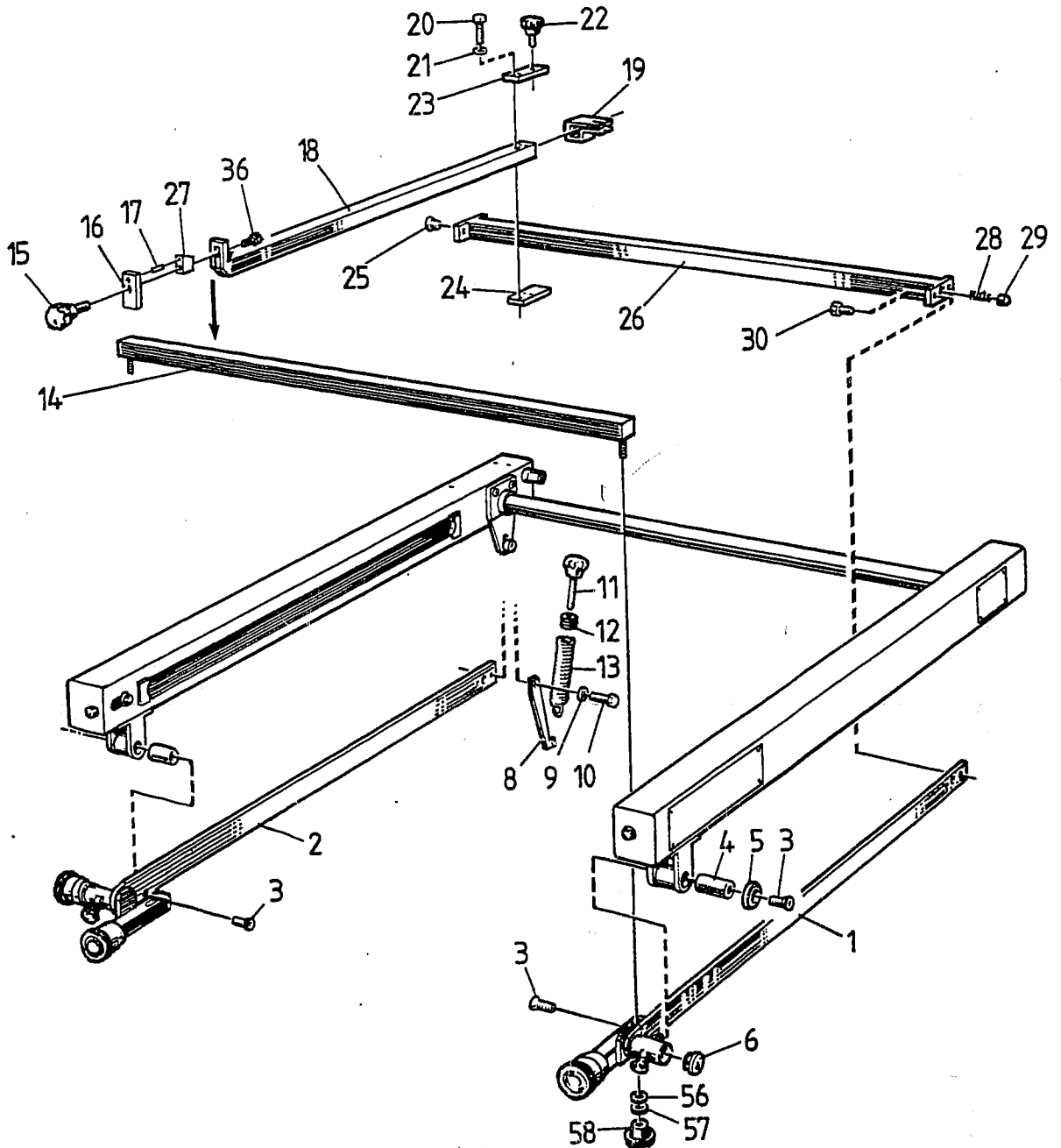
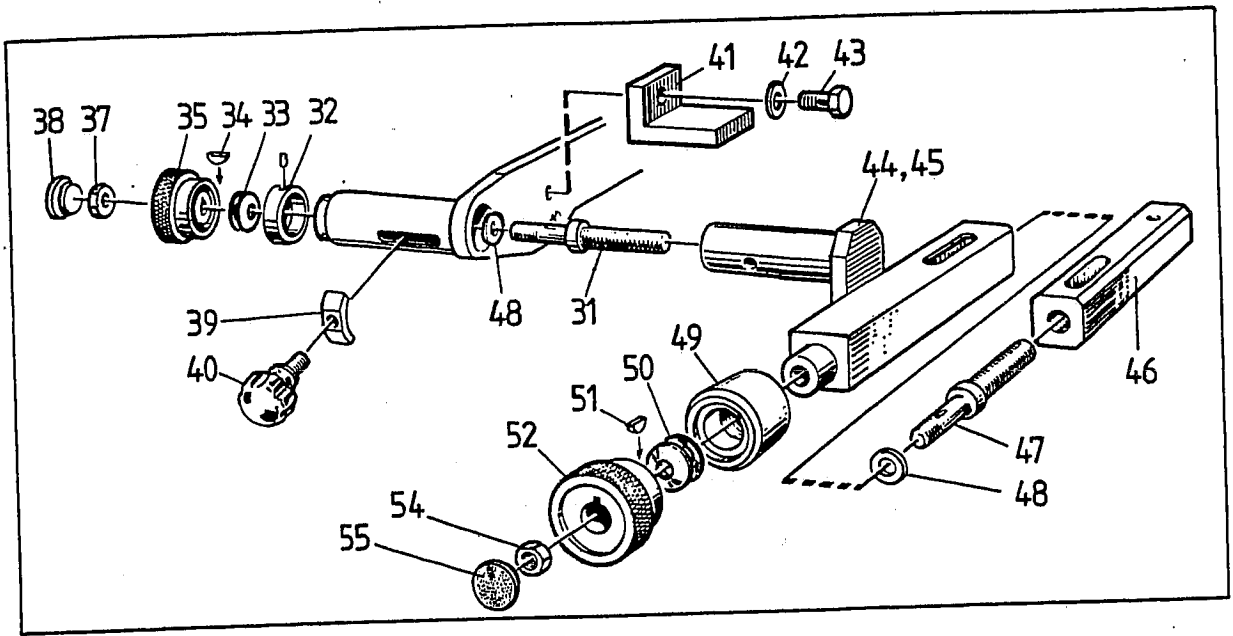
Item	Part No.	Qty	Description	Notes
45	06-40404-01	4	Stopper	
46	01-33472-??	1	Cable shelf	See page X01-13C
47	934016015	4	Washer	BRB 8,4x16x1,5
48	938000084	4	Screw	M6S M8x25
49	40-31020-01	2	Bracket	
	948905039	4	Bushing " Glacier "	PAP 1820 P10
50	01-43328-62	2	Cover plate " Front "	
51	01-23061-??	1	Beam " Left "	See page X01-13C
52	01-23060-??	1	Beam " Right "	See page X01-13C
53	932920040	1	Groove ring	JV 40



SVECIA SM-01		Machine unit description Squeegee drive system		DL "X"	Page X01-13
Item	Part No.	Qty	Description	Notes	
1	970000002	1	Squeegee motor	SR 3640-3014-7-48BM	
2	934226050	4	Washer	TBRB 8,4x26x5	
3	938000082	4	Screw	M6S M8x20	
4	948400051 948400104	1	Chain " 8 mm " = 948400001	L=568 mm / 71 L	
	948400104	1	Chain link " 8 mm "	No. 30	
5	948400103	2	Chain lock " 8 mm "	No. 26	
6	01-40852-01	1	Sprocket	8 mm Z=15	
	935305025	1	Key	5x5x25	
	938110031	1	Screw	MC6S M4x22	
7	938000089	1	Screw	M6S M8x50	
8	934016015	1	Washer	BRB 8,4x16x1,5	
9	01-23054-01	1	Cover	Squeegee motor	
10	01-41019-01	1	Sprocket	8 mm Z=57	
	935305018	1	Key	5x5x18	
	938110056	1	Screw	MC6S M5x22	
11	01-23054-02	1	Cover bracket		
12	963665600	1	Hose clamp	NORMA S 65 / 20	
13	01-30430-01	1	Bearing housing		
	938000104	2	Screw	M6S M10x20	
	934022020	2	Washer	BRB 10,5x22x2	
14	01-43071-01	2	Sprocket	3/8" Z=17	
	935305016	2	Key	5x5x16	
	938110055	2	Screw	MC6S M5x20	
	06-40850-02	2	Security plate		
	938000082	2	Screw	M6S M8x20	
	934016015	2	Washer	BRB 8,4x16x1,5	
15	948510031	3	Ball bearing	1203	
16	01-40849-??	1	Drive shaft	See page X01-13C	
17	01-40592-??	1	Security tube	See page X01-13C	
18	01-40994-01	2	Oilbronzed bushing		
19	938000082	2	Screw	M6S M8x20	
20	933600008	2	Locking washer	FBB-8	
21	01-40440-02	2	Holder		
22	937408016	4	Screw	K6S M8x16	
23	01-30871-01	2	Guide plate		
	937206008	2	Stop screw	P6SS M6x8	
24	937608016	4	Screw	MF6S M8x16	
25	938110100	2	Screw	MC6S M8x20	
26	934016015	4	Washer	BRB 8,4x16x1,5	
27	935035080	2	Locking nut	LM6M M8	
28	01-40540-01	1	Cover plate		
29	937905008	R	Screw	MSCS M5x8	
30	01-43328-61	2	Cover plate " Rear "		
31	948400002	2	Chain " 3/8" Simplex "	See page X01-13C	
32	948400107	4	Chain lock " 3/8" Simplex "	No. 26	
33	01-30541-01	1	Cover plate		
34	932900017	2	Groove ring	SgA 17	
35	932910035	2	Groove ring	SgH 35	
36	948501127	2	Ball bearing	6003 2Z	
37	01-43072-01	2	Sprocket idler	3/8" Z=17	
38	01-43077-01	2	Shaft		
39	934122040	2	Washer	TBRB 10,5x22x4	
40	938001117	2	Screw	M6S M10x80	
41	01-43096-04	2	Washer	TBRB 12,5x28x6	
42	935030120	2	Cap nut	MHM M12	
43	937610025	4	Screw	MF6S M10x25	
44	02-40620-01	4	Weld washer		



SVECIA SM-01		Machine unit description Frame holding system		DL "X"	Page X01-14C
Item	Part No.	Qty	Description	Notes	
1	01-33056-61	1	Off-contact bar "Right" L= 1242 mm	SM 50-70	
	01-33056-62	1	Off-contact bar "Right" L= 1342 mm	SM A1	
	01-33056-63	1	Off-contact bar "Right" L= 1442 mm	SM 70-100	
	01-33056-64	1	Off-contact bar "Right" L= 1592 mm	SM A0	
2	01-33057-61	1	Off-contact bar "Left" L= 1242 mm	SM 50-70	
	01-33057-62	1	Off-contact bar "Left" L= 1342 mm	SM A1	
	01-33057-63	1	Off-contact bar "Left" L= 1442 mm	SM 70-100	
	01-33057-64	1	Off-contact bar "Left" L= 1592 mm	SM A0	
14	01-33045-61	1	Front bar L= 1222 mm	SM 50-70	
	01-33045-62	1	Front bar L= 1372 mm	SM A1	
	01-33045-63	1	Front bar L= 1522 mm	SM 70-100	
	01-33045-64	1	Front bar L= 1722 mm	SM A0	
18	01-33059-61	2	Holding bar L= 1033 mm	SM 50-70	
	01-33059-62	2	Holding bar L= 1133 mm	SM A1	
	01-33059-63	2	Holding bar L= 1233 mm	SM 70-100	
	01-33059-64	2	Holding bar L= 1383 mm	SM A0	
19	27-30139-61	4	Frame holder "Quick release"		
26	01-33046-61	1	Rear bar L= 1264 mm	SM 50-70	
	01-33046-62	1	Rear bar L= 1414 mm	SM A1	
	01-33046-63	1	Rear bar L= 1564 mm	SM 70-100	
	01-33046-64	1	Rear bar L= 1764 mm	SM A0	



SVECIA
SM-01

Machine unit description

Frame holding system

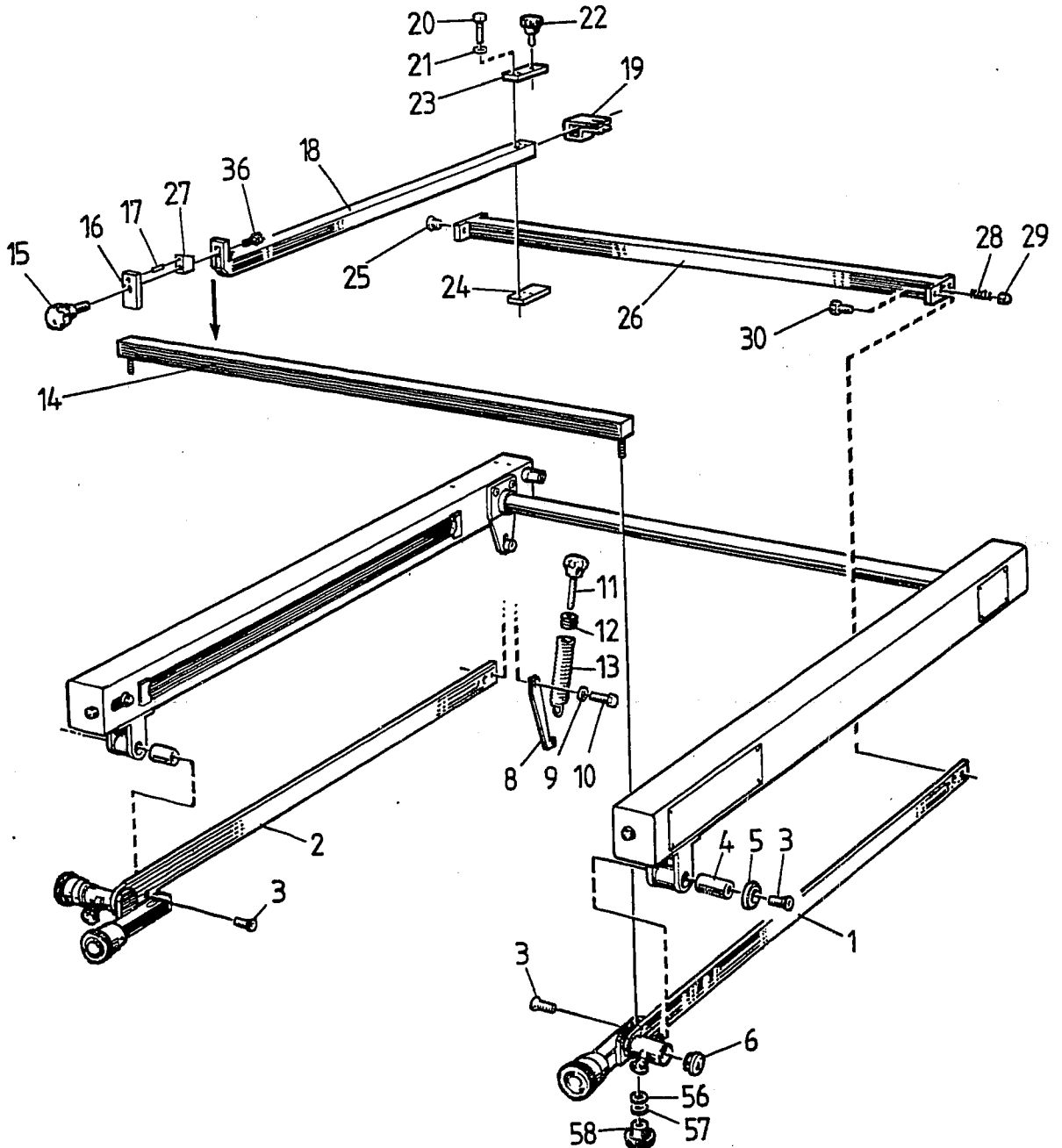
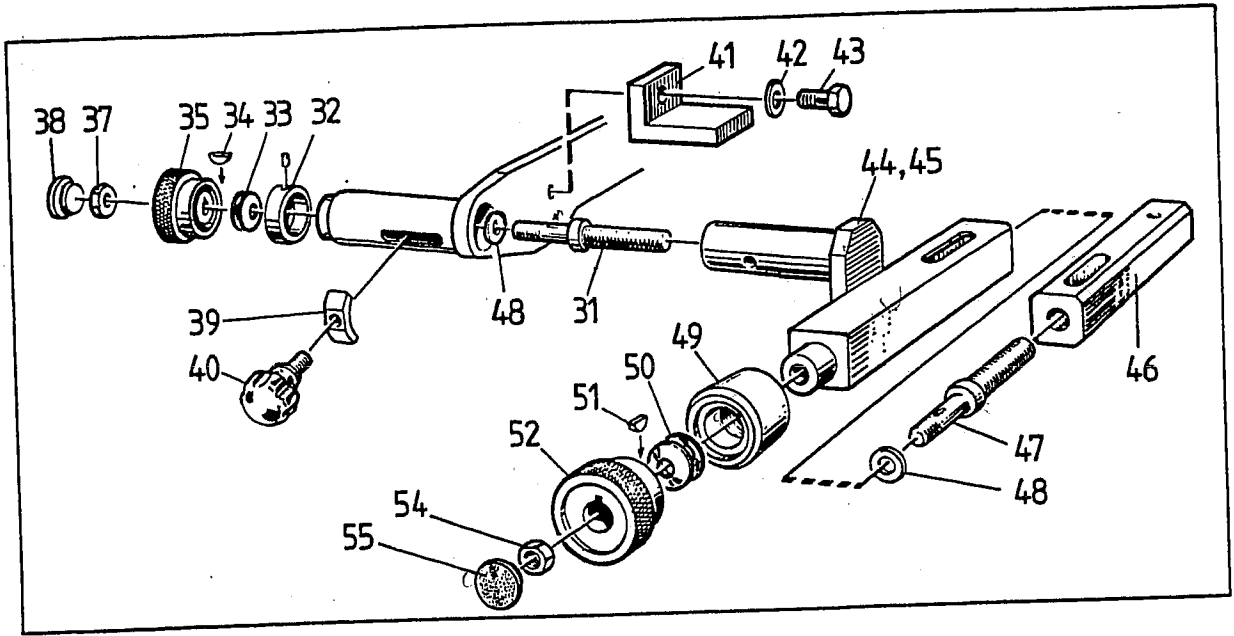
DL

"X"

Page

X01-14B

Item	Part No.	Qty	Description	Notes
45	01-30590-62	1	Support "Holding bar, right"	
46	01-40245-01	2	Sliding part	
47	01-40409-02	2	Adjusting screw "Longitudinal"	
48	01-40408-01	3	Brass washer	
49	01-40402-01	2	Adjusting ring	
	937206012	1	Stop screw	P6SS M6x12
50	933423808	4	Saucer washer	8,2x23x0,8
51	935395010	2	Key	Woodruff 2x4x10
52	01-30982-01	2	Adjusting knob	
53				
54	935035080	2	Locking nut	LM6M M8
55	969702160	2	Cap	38-443-05
56	01-40653-01	2	Fibre washer	8x20
57	934019015	2	Washer	NB 8x19x1,5
58	969700108	2	Knob "Female"	WN 450 M8



SVECIA
SM-01

Machine unit description

Frame holding system

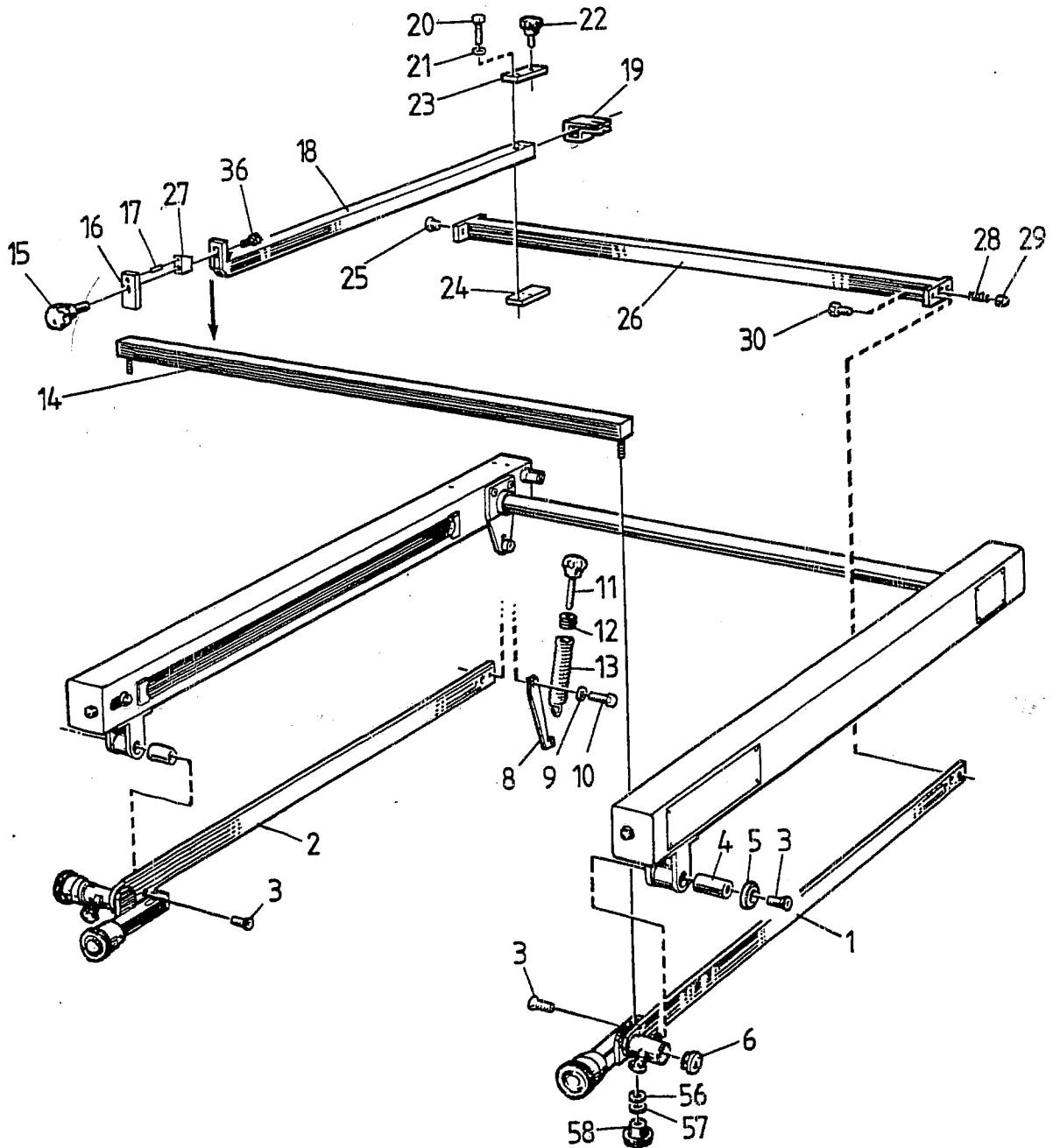
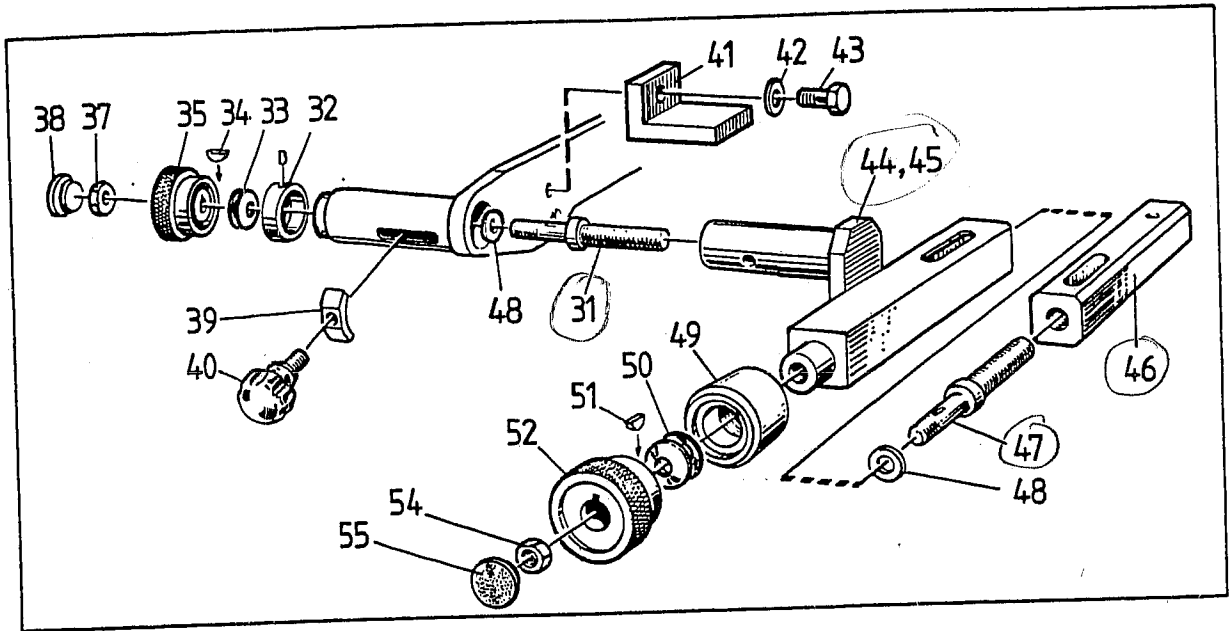
DL

"X"

Page

X01-14

Item	Part No.	Qty	Description	Note
1	01-33056-??	1	Off-contact bar "Right"	See page X01-14C
2	01-33057-??	1	Off-contact bar "Left"	See page X01-14C
3	937608025	2	Screw	MF6S M8x25
	937608020	2	Screw	MF6S M8x20
4	01-40845-02	2	Shaft	
5	25-40296-01	2	Washer	
6	999131001	2	Cap	GPN - 910 / 4015
7				
8	01-40146-01	2	Spring bracket	
	988161160	2	Clamp	1261 - 1604
	938922300	2	Pop-rivet	AD 46 3,2 x 9,1
9	933300010	2	Locking washer	Schnorr 10
10	937410018	2	Screw	K6S M10x18
11	969700050	2	Adjusting screw	WN 450 M8x120
	01-40653-01	2	Fibre washer	8x20
	934019015	4	Washer	NB 8x19x1,5
12	18-40209-01	2	Threaded insert	
13	01-40571-04	2	Off-contact spring	
14	01-33045-??	1	Front bar	See page X01-14C
	01-40858-01	2	Threaded pin	M8x50
15	969700825	2	Clamping screw	WN 450 M8x25
	934016015	2	Washer	BRB 8,4x16x1,5
16	01-40772-01	2	Clamping plate	
17	932530200	2	Expanding pin	3x20
18	01-33059-??	2	Holding bar	See page X01-14C
19	25-40015-61	4	Frame holder	See page X01-14C
	01-40371-61	4	T-screw	M8x20
	934016015	4	Washer	BRB 8,4x16x1,5
20	938000089	3	Screw	M6S M8x50
21	934016015	3	Washer	BRB 8,4x16x1,5
22	969700106	1	Clamping screw	WN 450 M8x50
23	01-30043-03	2	Clamping plate "Upper, right & left"	
24	01-30043-01	1	Clamping plate "Lower, left"	
	06-40541-01	1	Clamping plate "Lower, right"	
25	25-40156-01	1	Slide plug	
26	01-33046-??	1	Rear bar	See page X01-14C
27	01-40772-02	2	Spacer	
28	01-40107-22	1	Spring	
29	25-40156-02	1	Slide plug	
30	937410020	4	Screw	K6S M10x20
	933300010	4	Locking washer	Schnorr 10
31	01-40409-02	1	Adjusting screw "Cross wise"	
32	01-40597-01	1	Adjusting ring	
	937206008	1	Stop screw	P6SS M6x8
33	933423808	2	Saucer washer	8,2x23x0,8
34	935395010	1	Key	Woodruff 2x4x10
35	01-30982-01	1	Adjusting knob	
36	938110100	2	Screw	MC6S M8x20
37	935035080	1	Locking nut	LM6M M8
38	969702160	1	Cap	38-443-05
39	01-43285-01	2	Clamping plate	
40	969700825	2	Locking screw	WN 450 M8x25
41	01-40185-01	2	Support	
	932530120	2	Expanding pin	3x12
42	934012015	2	Washer	BRB 6,4x12x1,5
43	938010058	2	Screw	M6S M6x20
44	01-30590-61	1	Support "Holding bar, left"	



SVECIA
SM-01

Machine unit description

Adjustable release

DL

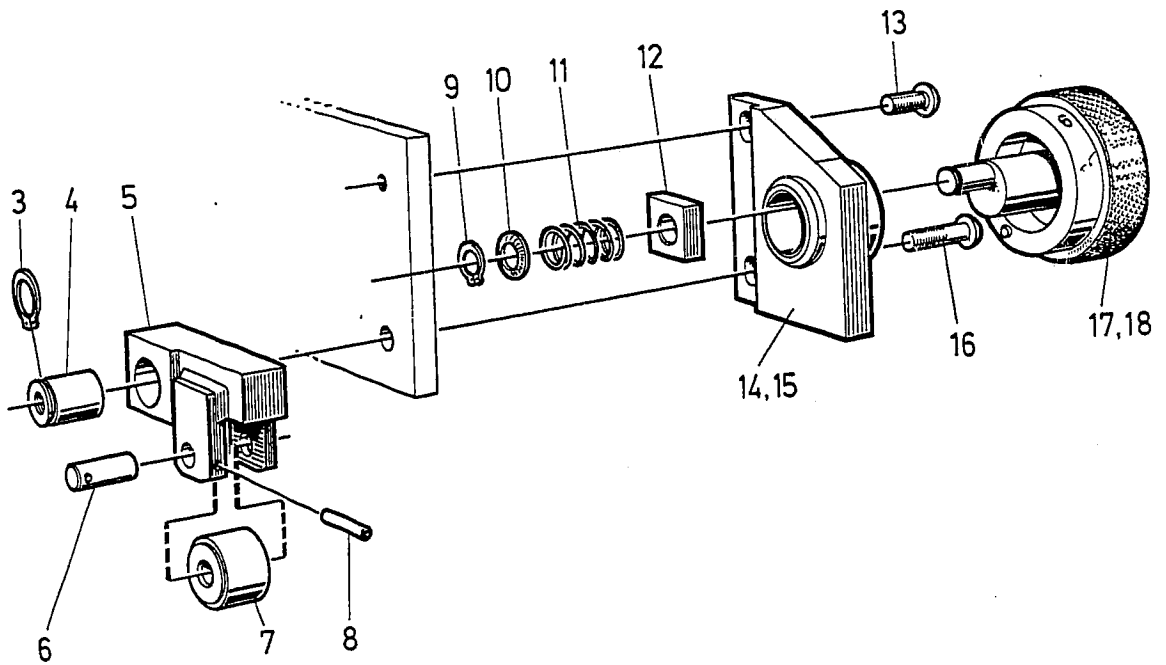
"X"

Page

X01-15

Item	Part No.	Qty	Description	Notes
1	00-26036-63	1	Adjustable release cpl. "Right"	
2	00-26036-64	1	Adjustable release cpl. "Left"	
3	932900015	1	Groove ring	SgA 15
4	00-40340-01	1	Shaft	
5	00-40339-61	1	Lever "Right"	
	00-40339-62	1	Lever "Left"	
6	47-40833-01	1	Shaft	8x24
7	948598020	1	Stud roller	NATR 8X
8	932530200	1	Expanding pin	3x20
9	932900010	1	Groove ring	SgA 10
10	933300010	1	Locking washer	Schnorr 10
11	25-40548-01	1	Spring 00-46038-01	
12	00-40338-01	1	Support stud	
13	937408016	1	Screw	K6S M8x16
14	00-40364-61	1	Bracket "Right"	
15	00-40364-62	1	Bracket "Left"	
	948905043	2	Bushing	PAP 2025 P10
16	937408025	1	Screw	K6S M8x25
17	00-30365-01	1	Adjusting knob "Right"	
	00-40337-01	1	Eccentric shaft	
	937205010	2	Stop screw	P6SS M5x10
18	00-30365-02	1	Adjusting knob "Left"	
	00-40337-01	1	Eccentric shaft	
	937205010	2	Stop screw	P6SS M5x10

① ②



SVECIA
SM-01

Machine unit description

Pneumatic turn over system

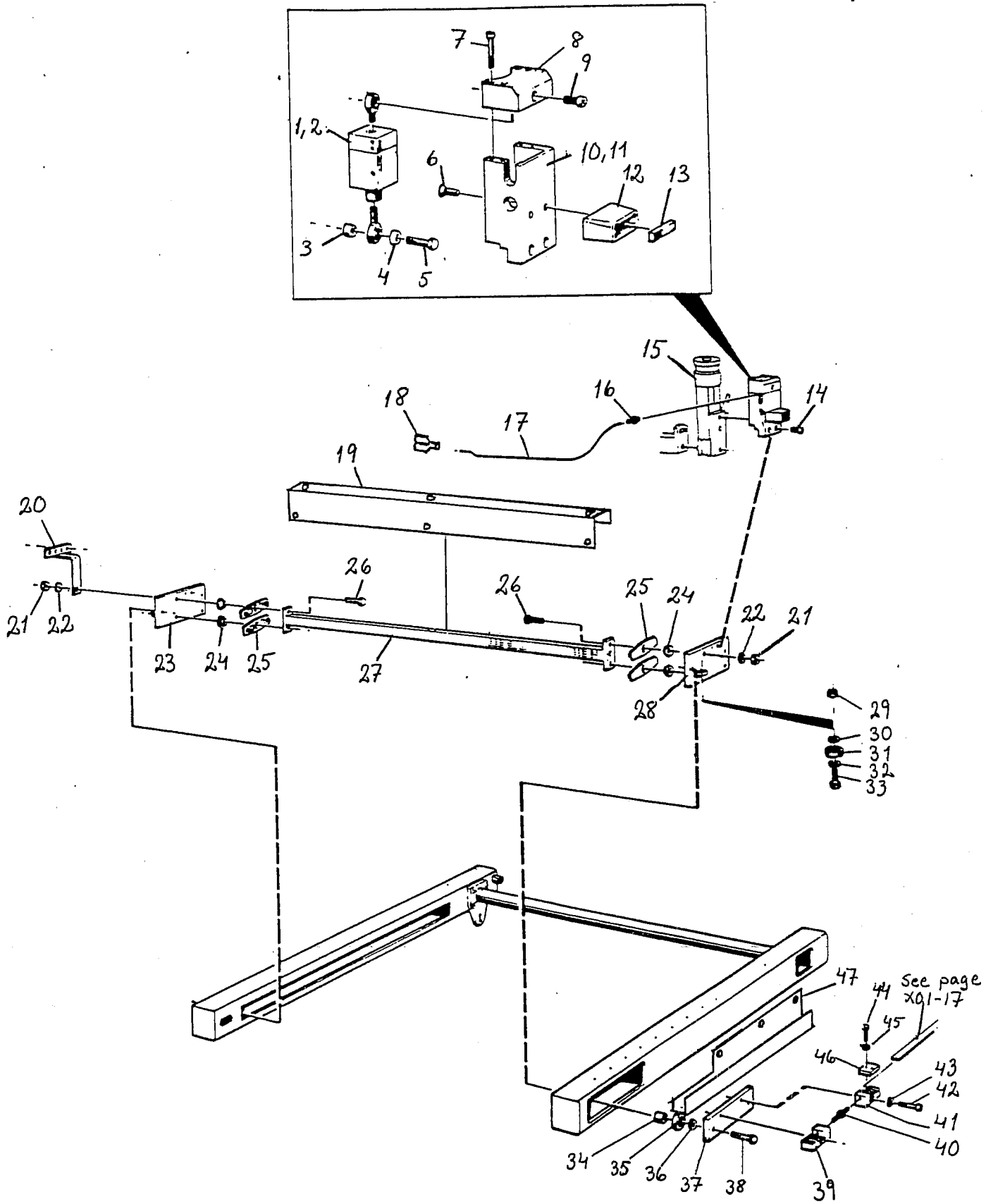
DL

"X"

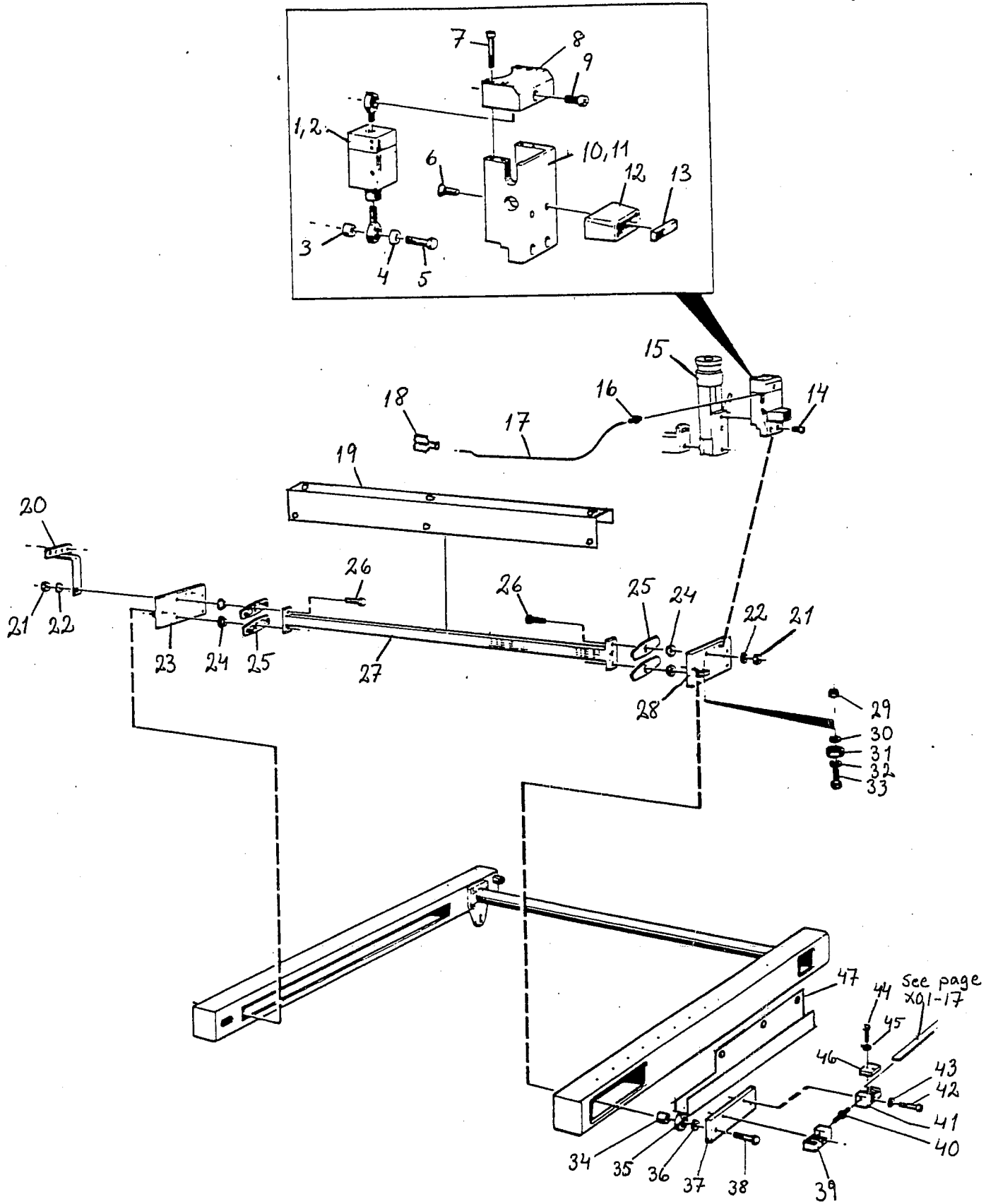
Page

X01-16B

Item	Part No.	Qty	Description	Notes
19	01-33373-01	1	Cover "Center bar" L= 1030 mm	SM 50-70
	01-33373-02	1	Cover "Center bar" L= 1180 mm	SM A1
	01-33373-03	1	Cover "Center bar" L= 1330 mm	SM 70-100
	01-33373-04	1	Cover "Center bar" L= 1530 mm	SM A0
27	25-32018-61	1	Center bar L= 1227 mm	SM 50-70
	25-32018-62	1	Center bar L= 1377 mm	SM A1
	25-32018-63	1	Center bar L= 1527 mm	SM 70-100
	25-32018-64	1	Center bar L= 1727 mm	SM A0
47	01-33225-01	1	Support "Cable guide chain" L= 650 mm	SM 50-70
	01-33225-02	1	Support "Cable guide chain" L= 750 mm	SM A1
	01-33225-03	1	Support "Cable guide chain" L= 850 mm	SM 70-100
	01-33225-04	1	Support "Cable guide chain" L= 950 mm	SM A0



SVECIA SM-01		Machine unit description Pneumatic turn over system		DL "X"	Page X01-16
Item	Part No.	Qty	Description	Notes	
1	955338901	1	Pneumatic cylinder "Left"	AL 38-7-20-1	
2	955338902	1	Pneumatic cylinder "Right"	AL 38-7-20-1	
3	939155006	2	Spacer	5,9x10 L= 10 mm	
4	934012015	2	Washer	BRB 6,4x12x1,5	
5	25-40639-01	2	Screw		
6	937605012	2	Screw	MF6S M5x12	
7	938110033	8	Screw	MC6S M4x30	
8	25-30555-01	2	Cage head		
9	938110076	2	Screw	MC6S M6x16	
10	25-30554-01	1	Cage "Left"		
11	25-30554-02	1	Cage "Right"		
12	25-40557-01	1	Magnet holder		
13	991901845	1	Magnet	845 B	
14	938110077	4	Screw	MC6S M6x18	
15	40-22694-61	1	Height adjustment cpl.right "Squeegee"		
	40-22694-62	1	Height adjustment cpl.left "Squeegee"		
	40-22695-61	1	Height adjustment cpl.right "Floodcoater"		
	40-22695-62	1	Height adjustment cpl.left "Floodcoater"		
16	955492615	6	Air connection	KQS 04-M5	
17	955404241	R	Hose	PUS-4	
18	955492772	3	Air connection	KQU 04-00	
19	01-33373-??	1	Cover "Center bar"	See page X01-16B	
20	01-33372-61	1	Hose bracket		
21	935010100	4	Nut	M6M M10	
22	934022020	4	Washer	BRB 10,5x22x2	
23	02-31009-61	1	Carriage bracket "Left"		
24	01-40296-02	4	Bushing		
25	02-40779-01	4	Slewing bracket		
26	938000110	4	Screw	M6S M10x45	
27	25-32018-??	1	Center bar	See page X01-16B	
28	02-31009-62	1	Carriage bracket "Right"		
29	935047060	2	Flanged locking nut	LM6MF M6	
30	934012015	2	Washer	BRB 6,4x12x1,5	
31	948500031	2	Ball bearing	626 2Z	
32	934112030	2	Washer	TBRB 6,4x12x3	
33	938000060	2	Screw	M6S M6x25	
34	01-40296-01	4	Spacer		
35	948501021	4	Ball bearing	6200 2Z	
36	934022020	4	Washer	BRB 10,5x22x2	
37	25-40591-01	2	Support bracket		
38	938110128	4	Screw	MC6S M10x55	
39	25-40587-61	2	Clamp "Left threaded"		
40	25-40589-01	2	Tension screw		
	935014060	2	Counter nut "Left threaded"	M6ML M6	
	935010060	2	Counter nut "Right threaded"	M6M M6	
41	25-40587-62	2	Clamp "Right threaded"		
42	938000065	4	Screw	M6S M6x50	
43	934012015	4	Washer	BRB 6,4x12x1,5	
44	938000060	8	Screw	M6S M6x25	
45	934012015	8	Washer	BRB 6,4x12x1,5	
46	25-40588-01	4	Clamp plate		
47	01-33225-??	1	Support "Cable guide chain"	See page X01-16B	
	948301319	1	Cable guide chain	320.20 L= 1 m	
	948301322	1	Bracket set for cable guide		



SVECIA
SM-01

Machine unit description **Before 950101**
Squeegee drive system, toothbelt

DL
"X"

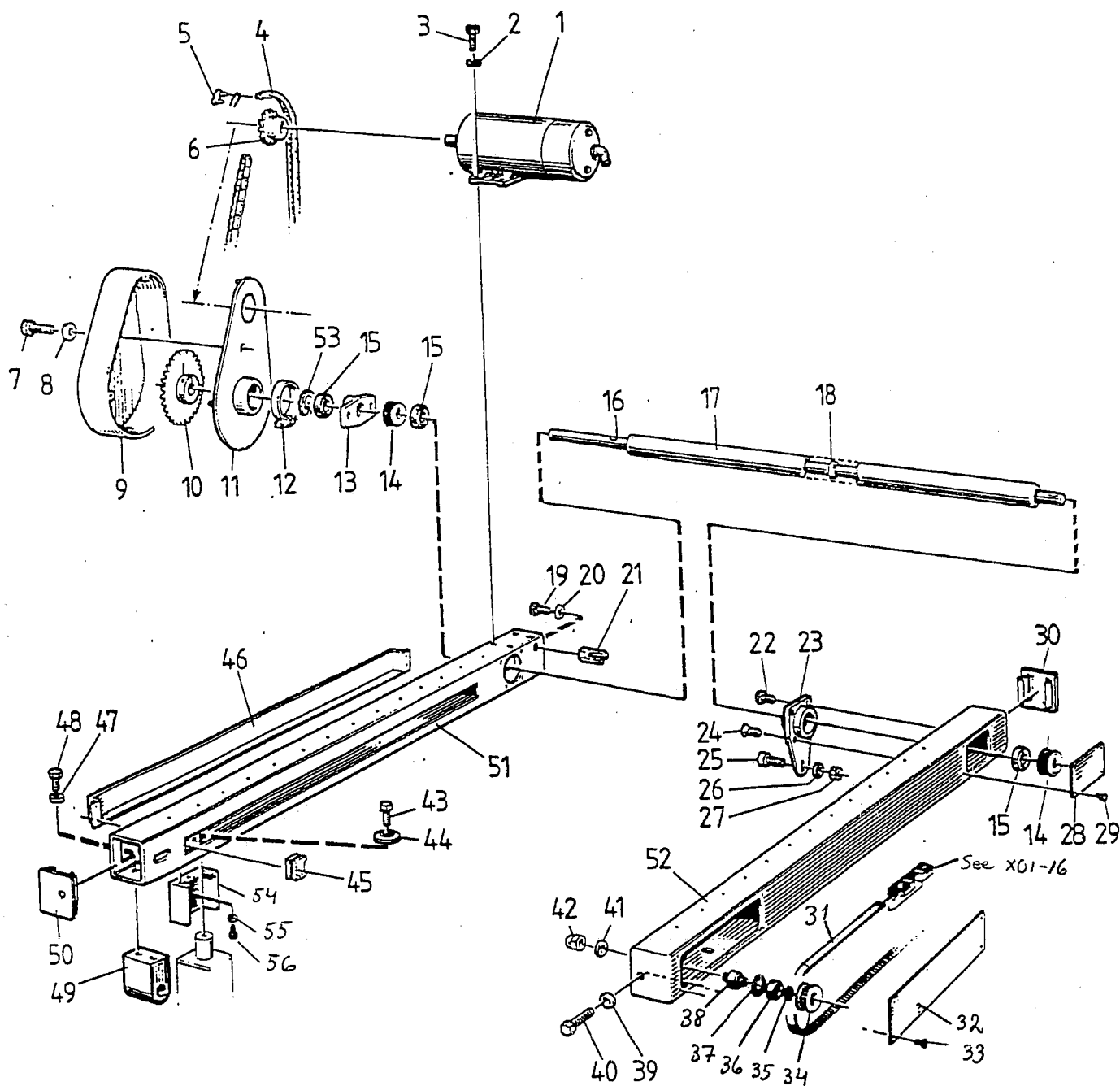
Page
X01-17C

Item	Part No.	Qty	Description	Notes
16	01-40849-01	1	Squeegee driving shaft L= 1515 mm	SM 40-60
	01-40849-02	1	Squeegee driving shaft L= 1515 mm	SM 50-70
	01-40849-03	1	Squeegee driving shaft L= 1665 mm	SM A1
	01-40849-04	1	Squeegee driving shaft L= 1815 mm	SM 70-100
	01-40849-05	1	Squeegee driving shaft L= 1915 mm	SM 30"-40"
	01-40849-06	1	Squeegee driving shaft L= 2015 mm	SM A0
	01-40849-07	1	Squeegee driving shaft L= 2165 mm	SM 100-140
	01-40849-08	1	Squeegee driving shaft L= 1832 mm	SM A0 Cr.
	01-40849-09	1	Squeegee driving shaft L= 1511 mm	SM 50-70 Cr.
	01-40849-10	1	Squeegee driving shaft L= 2082 mm	SM 110-110Cr.
	01-40849-11	1	Squeegee driving shaft L= 1400 mm	SM 63-125 Cr.
17	01-40592-01	1	Security tube L= 1138 mm	SM 40-60
	01-40592-02	1	Security tube L= 1688 mm	SM 30"-40"
	01-40592-03	1	Security tube L= 1788 mm	SM A0
	01-40592-04	1	Security tube L= 1438 mm	SM A1
	01-40592-05	1	Security tube L= 1588 mm	SM 70-100
	01-40592-06	1	Security tube L= 1288 mm	SM 50-70
	01-40592-07	1	Security tube L= 1788 mm	SM 100-200
	01-40592-08	1	Security tube L= 1938 mm	SM 100-140
	01-40592-09	1	Security tube L= 1637 mm	SM A0 Cr.
	01-40592-10	1	Security tube L= 1316 mm	SM 50-70 Cr.
	01-40592-11	1	Security tube L= 1887 mm	SM 110-110 Cr.
	01-40592-12	1	Security tube L= 1170 mm	SM 63-125 Cr.
46	01-33472-61	1	Cable shelf L= 860 mm	SM 50-70
	01-33472-62	1	Cable shelf L= 960 mm	SM A1
	01-33472-63	1	Cable shelf L= 1060 mm	SM 70-100
	01-33472-64	1	Cable shelf L= 1160 mm	SM A0
50	01-23061-61	1	Beam "Left" L= 1425 mm	SM 50-70
	01-23061-62	1	Beam "Left" L= 1525 mm	SM A1
	01-23061-63	1	Beam "Left" L= 1625 mm	SM 70-100
	01-23061-64	1	Beam "Left" L= 1725 mm	SM A0
51	01-23060-61	1	Beam "Right" L= 1425 mm	SM 50-70
	01-23060-62	1	Beam "Right" L= 1525 mm	SM A1
	01-23060-63	1	Beam "Right" L= 1625 mm	SM 70-100
	01-23060-64	1	Beam "Right" L= 1725 mm	SM A0

ORIGINAL

vecia SM Squeegee drive system, Toothbelt

X01-17



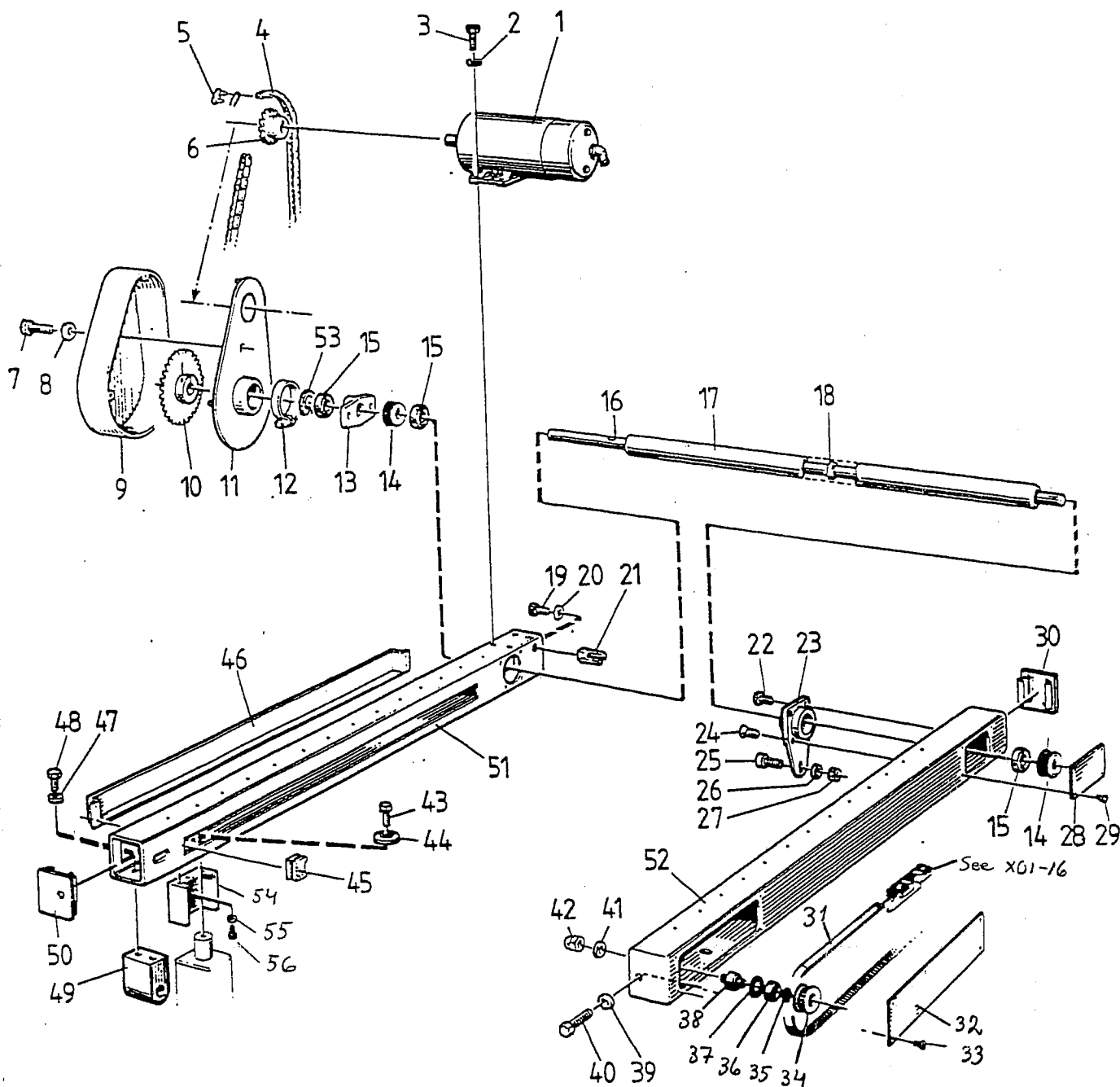
SVECIA
SM-01

Machine unit description **Before 950101**
Squeegee drive system, toothbelt

DL
"X"

Page
X01-17B

Item	Part No.	Qty	Description	Notes
42	935030120	2	Cap nut	MHM M12
43	937610025	4	Screw	MF6S M10x25
44	02-40620-01	4	Washer	
45	06-40404-01	4	Stopper	
46	01-33472-??	1	Cable shelf	See page X01-17C
47	934016015	4	Washer	BRB 8,4x16x1,5
48	938000084	4	Screw	M6S M8x25
49	40-31020-01	2	Bracket	
	948905039	4	Glacier bushing	PAP 1820 P10
50	01-43328-62	2	Cover "Front"	
51	01-23061-??	1	Beam "Left"	See page X01-17C
52	01-23060-??	1	Beam "Right"	See page X01-17C
53	932920040	1	Groove ring	JV 40
54	01-30536-01	4	Security for columns	
55	933100053	R	Locking washer	IZ 5,3
56	937905008	R	Panel screw	MSCS M5x8



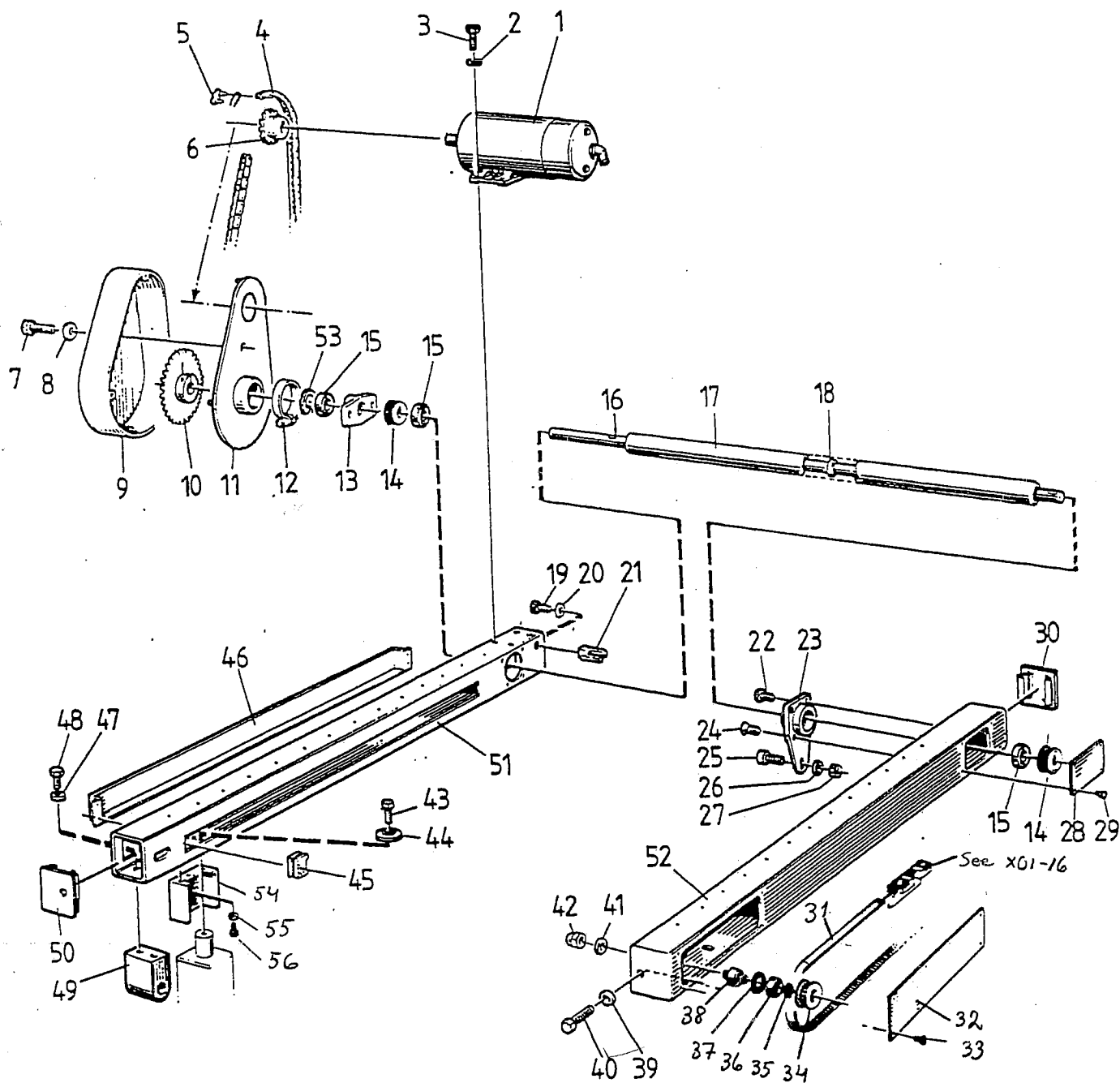
SVECIA
SM-01

Machine unit description **Before 950101**
Squeegee drive system, toothbelt

DL
"X"

Page
X01-17

Item	Part No.	Qty	Description	Notes
1	970000002	1	Squeegee motor	SR 3640-3014 0,5hp 2000rpm
2	934226050	4	Washer	TBR SB 8,4x26x5
3	938000084	4	Screw	M6S M8x25
4	948400001	1	Chain 8 mm simplex	L= 568 mm
	948400104	1	Chain link 8 mm simplex	No. 30
5	948400103	2	Chain lock 8 mm simplex	No. 26
6	01-40852-01	1	Sprocket	
	935305025	1	Key	5x5x25
	938110031	1	Screw	MC6S M4x22
7	938000089	1	Screw	M6S M8x50
8	934226050	1	Washer	TBR SB 8,4x26x5
	01-40653-03	1	Fibre washer	8x25
9	01-20354-01	1	Cover "Squeegee motor"	
10	01-41019-01	1	Sprocket	
	935305018	1	Key	5x5x18
	938110056	1	Screw	MC6S M5x22
11	01-23054-02	1	Cover bracket "Squeegee motor"	
12	963665600	1	Hose clamp	NORMA S65 / 20
13	01-30430-01	1	Bearing housing	
	938000104	2	Screw	M6S M10x20
	934022020	2	Washer	BRB 10,5x22x2
14	25-40593-02	2	Belt wheel	T 10
	25-40597-01	2	Spacer	
	936805010	4	Stop screw	SK6SS M5x10
	935305016	2	Key	5x5x16
	06-40850-02	2	Security plate	
	938000082	2	Screw	M6S M8x20
	934016015	2	Washer	BRB 8,4x16x1,5
15	948510031	3	Ball bearing	1203
16	01-40849-??	1	Squeegee driving shaft	See page X01-17C
17	01-40592-??	1	Security tube	See page X01-17C
18	01-40994-01	2	Oilbronzed bushing	
19	938000082	2	Screw	M6S M8x20
20	933600008	2	Locking washer	FBB 8
21	01-40440-02	2	Spring holder	
22	937408016	4	Screw	K6S M8x16
	933300008	4	Locking washer	Schnorr 8
23	01-30871-01	2	Guide plate	
	937206008	2	Stop screw	P6SS M6x8
24	937608016	4	Screw	MF6S M8x16
25	938110100	2	Screw	MC6S M8x20
26	934016015	2	Washer	BRB 8,4x16x1,5
27	935035080	2	Locking nut	LM6M M8
28	01-40540-01	1	Cover plate	
29	937905008	R	Panel screw	MSCS M5x8
30	01-43328-61	2	Cover "Rear"	
31	948446005	R	Cog belt	16 T 10
32	01-30541-01	1	Cover plate	
33	937905008	R	Panel screw	MSCS M5x8
34	25-30599-04	2	Belt wheel	T 10
35	932900017	2	Groove ring	SgA 17
36	948501127	2	Ball bearing	6003 2Z
37	932910035	2	Groove ring	SgH 35
38	25-40410-01	2	Shaft	
39	934122040	2	Washer	TBRB 10,5x22x4
40	938001117	2	Screw	M6S M10x80
41	01-43096-04	2	Washer	TBR SB 12,5x28x6



SVECIA
SM-01

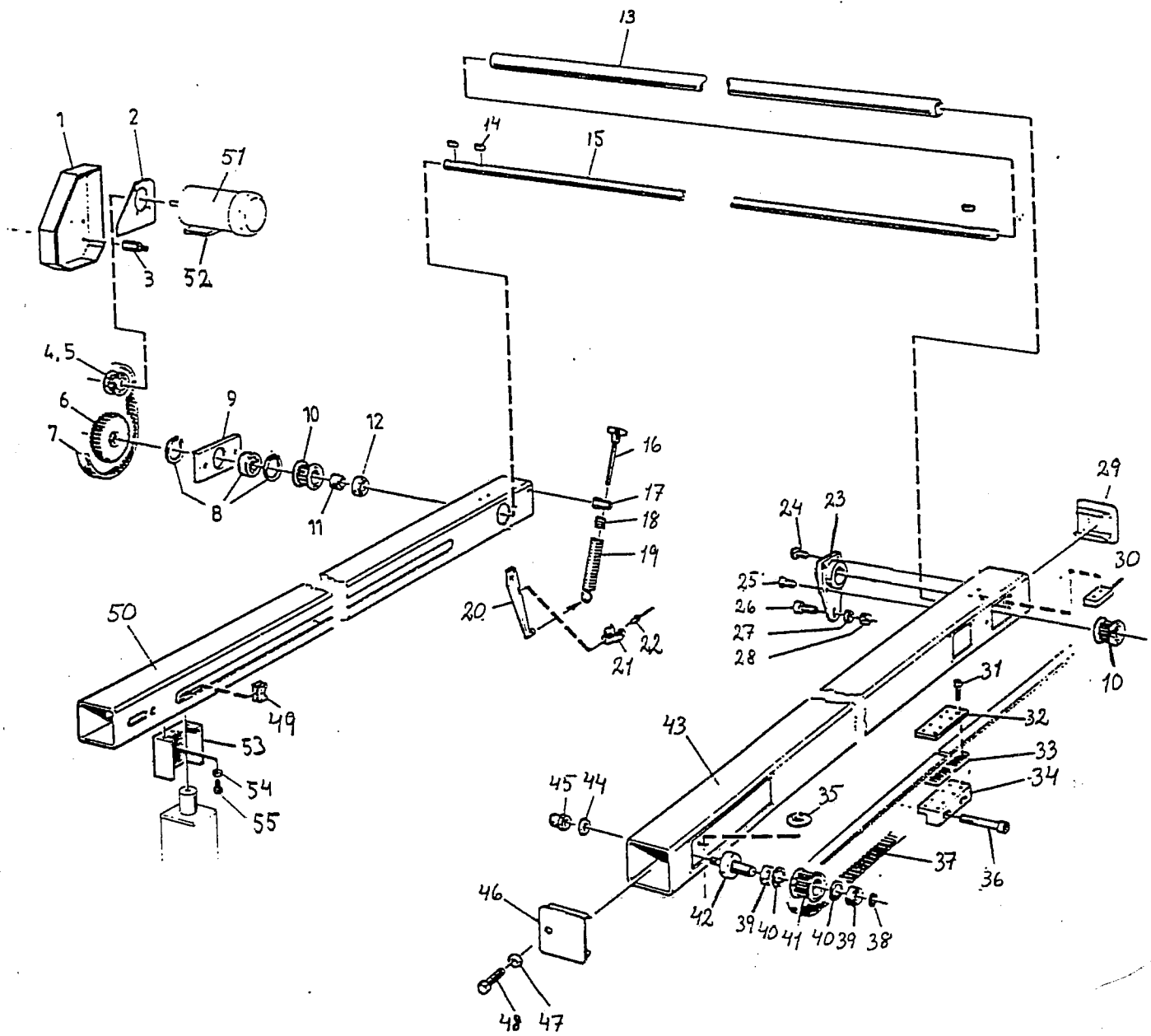
Machine unit description **Since 950101**
Squeegee drive system, Toothbelt

DL
"X"

Page
X01-18C

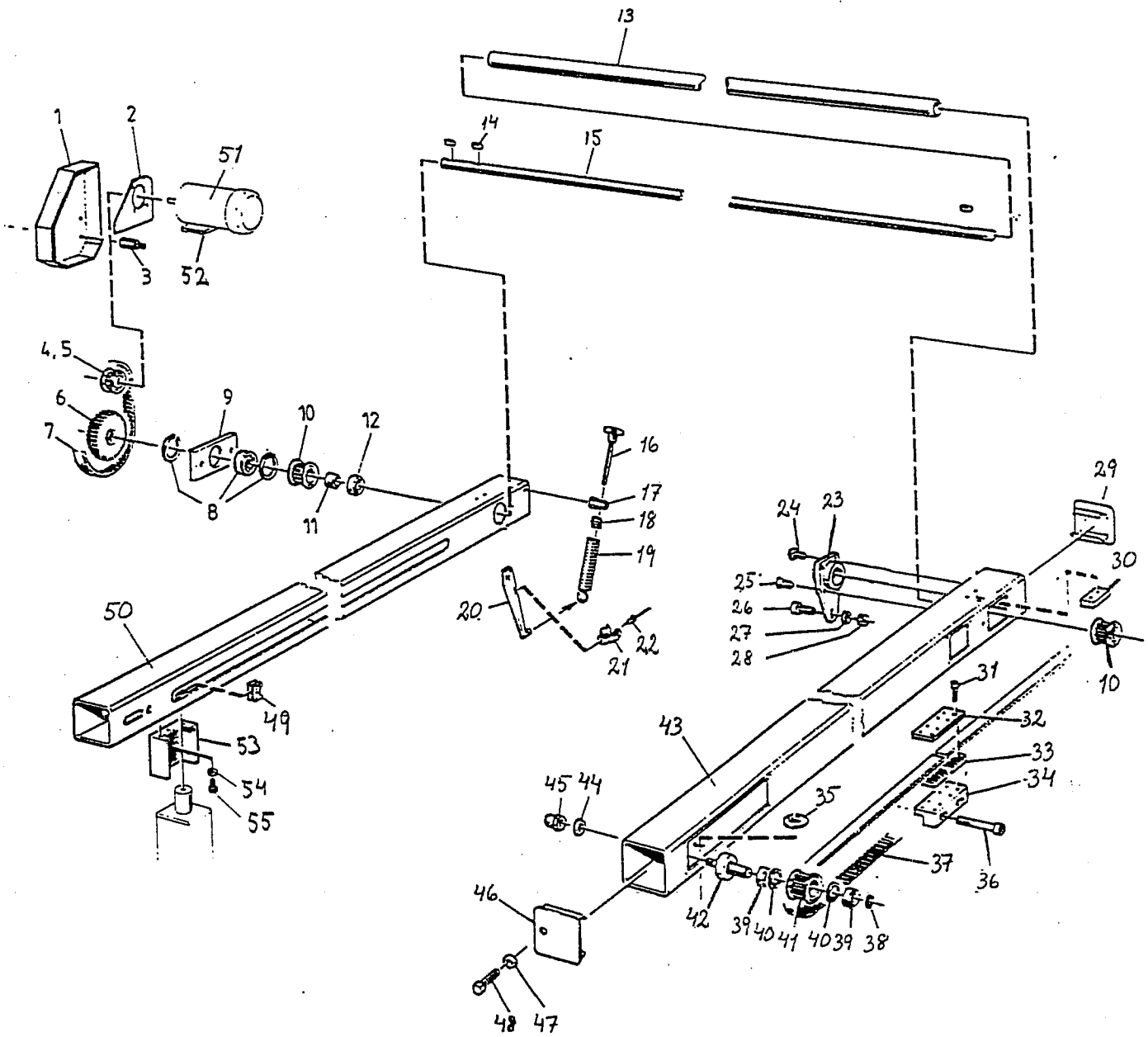
Item	Part No.	Qty	Description	Notes
13	01-33426-01	1	Security tube L= 1284 mm	SM 50-70
	01-33426-02	1	Security tube L= 1434 mm	SM A1
	01-33426-03	1	Security tube L= 1584 mm	SM 70-100
	01-33426-04	1	Security tube L= 1784 mm	SM A0
15	01-33425-01	1	Drive shaft L= 1554 mm	SM 50-70
	01-33425-02	1	Drive shaft L= 1704 mm	SM A1
	01-33425-03	1	Drive shaft L= 1854 mm	SM 70-100
	01-33425-04	1	Drive shaft L= 2054 mm	SM A0

> = Before 951001
< = Since 951001

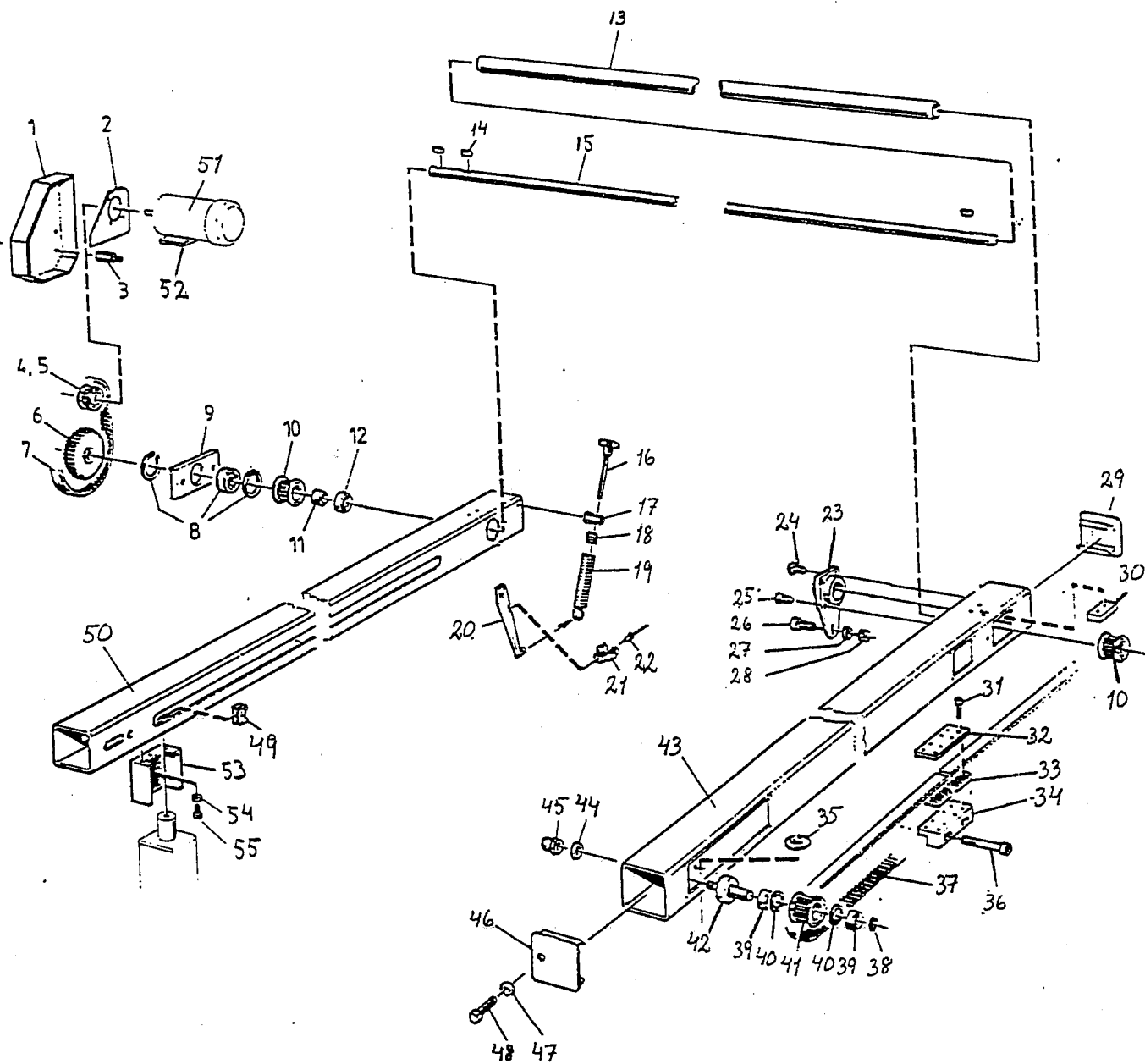


SVECIA SM-01	Machine unit description Since 950101 Squeegee drive system, Toothbelt	DL "X"	Page X01-18B
-------------------------------	---	------------------	------------------------

Item	Part No.	Qty	Description	Notes
46	01-43328-62	2	Cover "Front"	
47	934122040	2	Washer	TBRB 10,5x 22x4
48	938001117	2	Screw	M6S M10x80
49	06-40404-01	4	Stopper	
50	01-23061-??	1	Beam "Left"	See page X01-17
51	970000009	1	Squeegee motor	SR 3640-2041 0,5hp 1500rpm
52	970000015	1	Motor bracket	
53	47-21361-01	4	Cover for columns	
54	933100053	R	Locking washer	IZ 5,3
55	937905008	R	Panel screw	MSCS M5x8



Item	Part No.	Qty	Description	Notes
1	40-21649-61	1	Cover, right "Squeegee motor" >	See page X01-18C
	40-21649-62	1	Cover, left "Squeegee motor" >	See page X01-18C
	40-31717-01	1	Cover, right "Squeegee motor" <	See page X01-18C
	40-31717-02	1	Cover, left "Squeegee motor" <	See page X01-18C
2	40-31651-01	1	Safe guard	
3	938002100	4	Spacer	DSS M6 100x50
4	40-41599-01	1	Belt wheel	Diameter = 57,32 mm
	948910051	1	Hub	Beco-lock 1108 D = 14
5	40-41716-01	1	Belt wheel	Diameter = 46,95 mm
	948910014	1	Taper lock	CN 55 D = 14
6	40-41598-01	1	Belt wheel	
	948911310	1	Hub	Beco-lock 1310 D = 20
7	948446098	1	Toothbelt <i>Ersatt av 948446100</i>	AT5 / 600 / 12
			<i>(Bredd 16mm)</i>	
8	948509164	2	Bearing cpl.	RFK-RING BE 20
9	40-44391-01	2	Bearing holder	
10	40-41590-01	2	Belt wheel	
	948910052	2	Hub	Beco-lock 1108 D = 20
11	40-41592-01	2	Spacer	
12	948510039	2	Ball bearing	1204 ETN 9
13	01-33426-??	1	Security tube	See page X01-18C
14	935306020	3	Key	RK 6x6x20
15	01-33425-??	1	Drive shaft	See page X01-18C
16	969700050	2	Knob	WN 450 M8x120
17	01-40440-02	2	Spring holder	
18	18-40209-01	2	Threaded insert	
19	01-40571-04	2	Spring	
20	01-40146-01	2	Spring bracket	
21	988161160	2	Clamp	Terry 481
22	938921412	2	Pop-rivet	3,2x7,9
23	01-33410-01	2	Guide plate	
24	937408016	4	Screw	K6S M8x16
	933300008	4	Locking washer	Schnorr 8
25	937608016	4	Screw	MF6S M8x16
26	938110100	2	Screw	MC6S M8x20
27	934016015	2	Washer	BRB 8,4x16x1,5
28	935035080	2	Locking nut	LM6M M8
29	01-43328-61	2	Cover "Rear"	
30	40-41593-01	4	Security plate	
31	938001085	16	Screw	M6S M8x30
32	40-31597-01	2	Clamping plate	
33	948910140	4	Clamping plate "Cogged"	
34	40-31596-01	2	Bracket	
35	02-40620-01	4	Weld washer	
36	938110120	4	Screw	MC6S M10x55
37	948446204	R	Toothbelt	HTD 8/30
38	932900017	2	Groove ring	SgA 17
39	948501127	4	Ball bearing	6003 2Z
40	932900035	4	Groove ring	SgH 35
41	40-41595-01	2	Turn wheel	
42	34-41585-01	2	Shaft	
43	01-23060-??	1	Beam "Right"	See page X01-17
44	01-43096-04	2	Washer	TBRBSB 12,5x28x6
45	935030120	2	Cap nut	MHM M12



SVECIA
SM-01

Machine unit description

Pneumatic squeegee 1985-1988

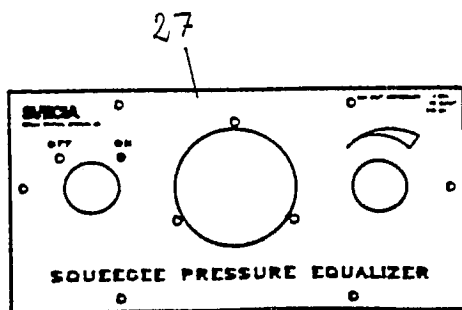
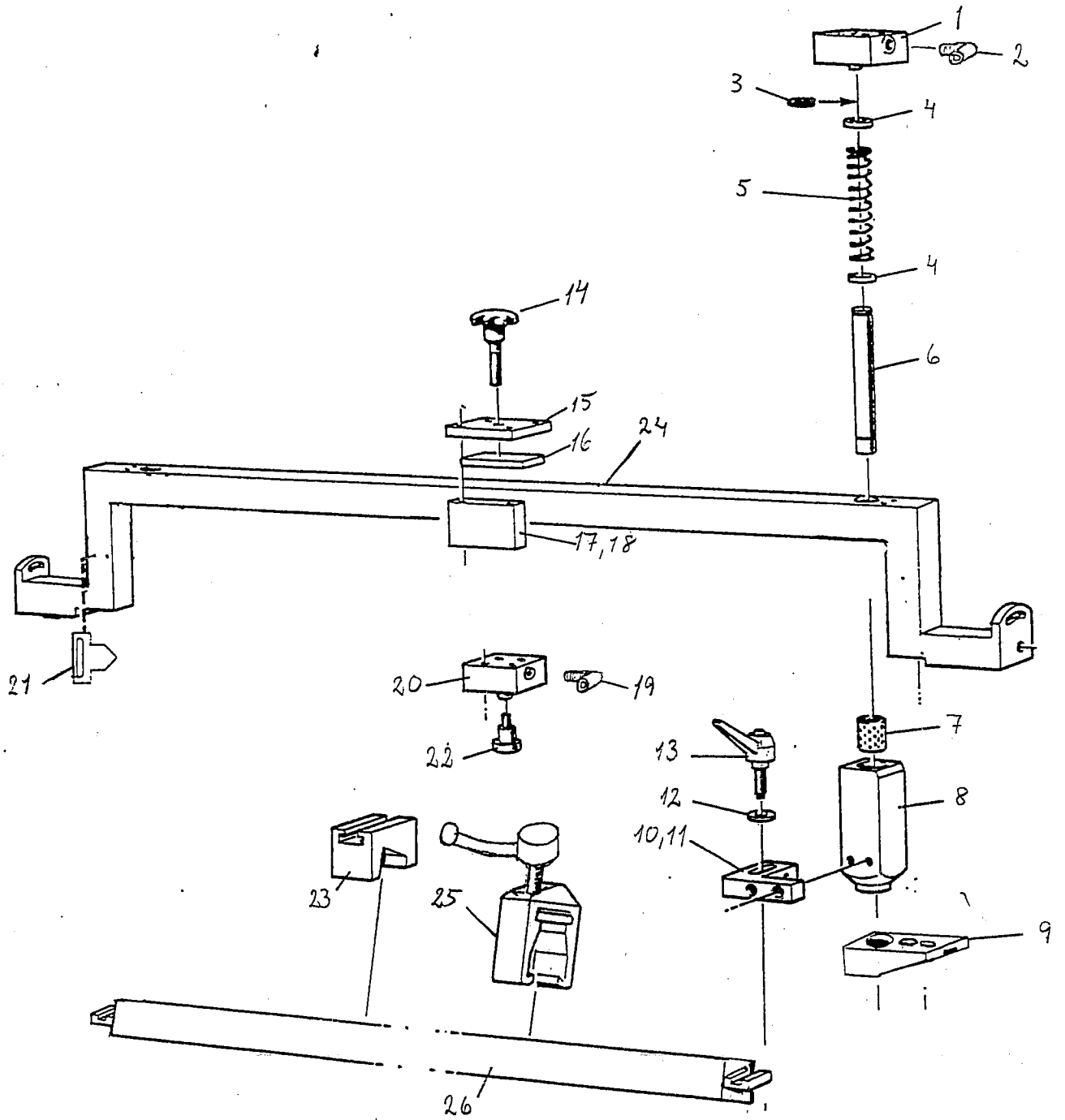
DL

"X"

Page

X01-19B

Item	Part No.	Qty	Description	Notes
24	25-20484-63	1	Bar, bridge L= 1121 mm	SM 50-70
	25-20484-64	1	Bar, bridge L= 1271 mm	SM A1
	25-20484-65	1	Bar, bridge L= 1421 mm	SM 70-100
	25-20484-66	1	Bar, bridge L= 1621 mm	SM A0
26	25-30439-62	1	Bar, 15° L= 814 mm	SM 50-70
	25-30439-63	1	Bar, 15° L= 964 mm	SM A1
	25-30439-64	1	Bar, 15° L= 1114 mm	SM 70-100
	25-30439-65	1	Bar, 15° L= 1314 mm	SM A0



SVECIA
SM-01

Machine unit description

Pneumatic squeegee 1989 -

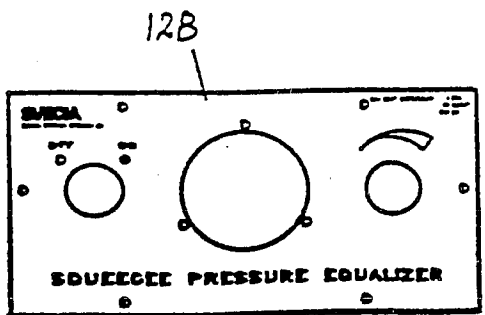
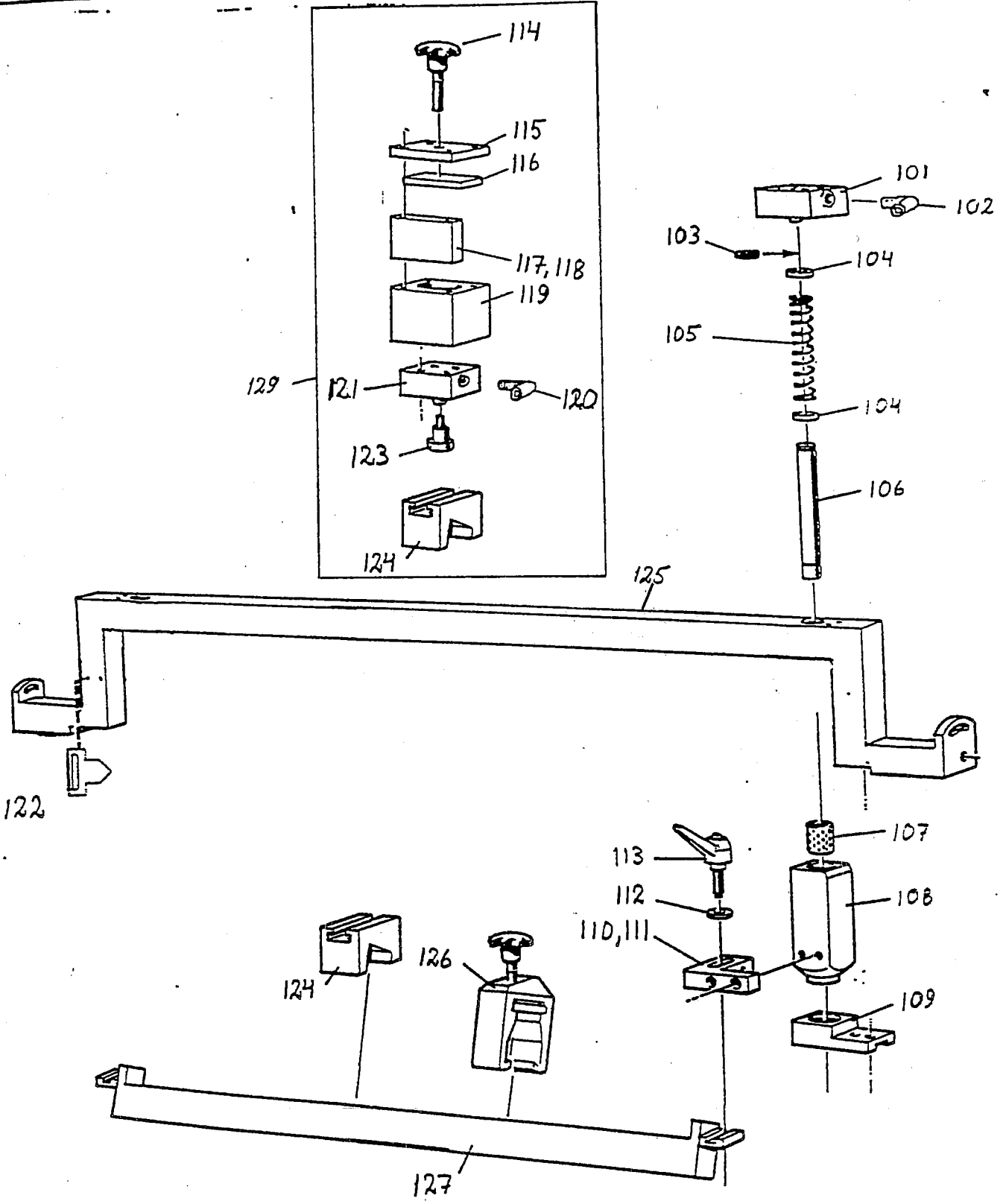
DL

"X"

Page

X01-19B

Item	Part No.	Qty	Description	Notes
125	25-20579-63	1	Bar, bridge L= 1121 mm	SM 50-70
	25-20579-64	1	Bar, bridge L= 1271 mm	SM A1
	25-20579-65	1	Bar, bridge L= 1421 mm	SM 70-100
	25-20579-66	1	Bar, bridge L= 1621 mm	SM A0
127	25-30564-62	1	Bar, 15° L= 814 mm	SM 50-70
	25-30564-63	1	Bar, 15° L= 964 mm	SM A1
	25-30564-64	1	Bar, 15° L= 1114 mm	SM 70-100
	25-30564-65	1	Bar, 15° L= 1250 mm	SM A0



SVECIA
SM-01

Machine unit description

Pneumatic squeegee 1989 -

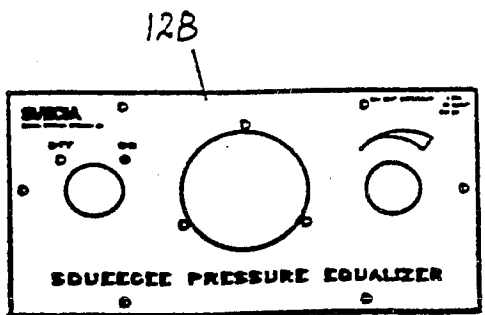
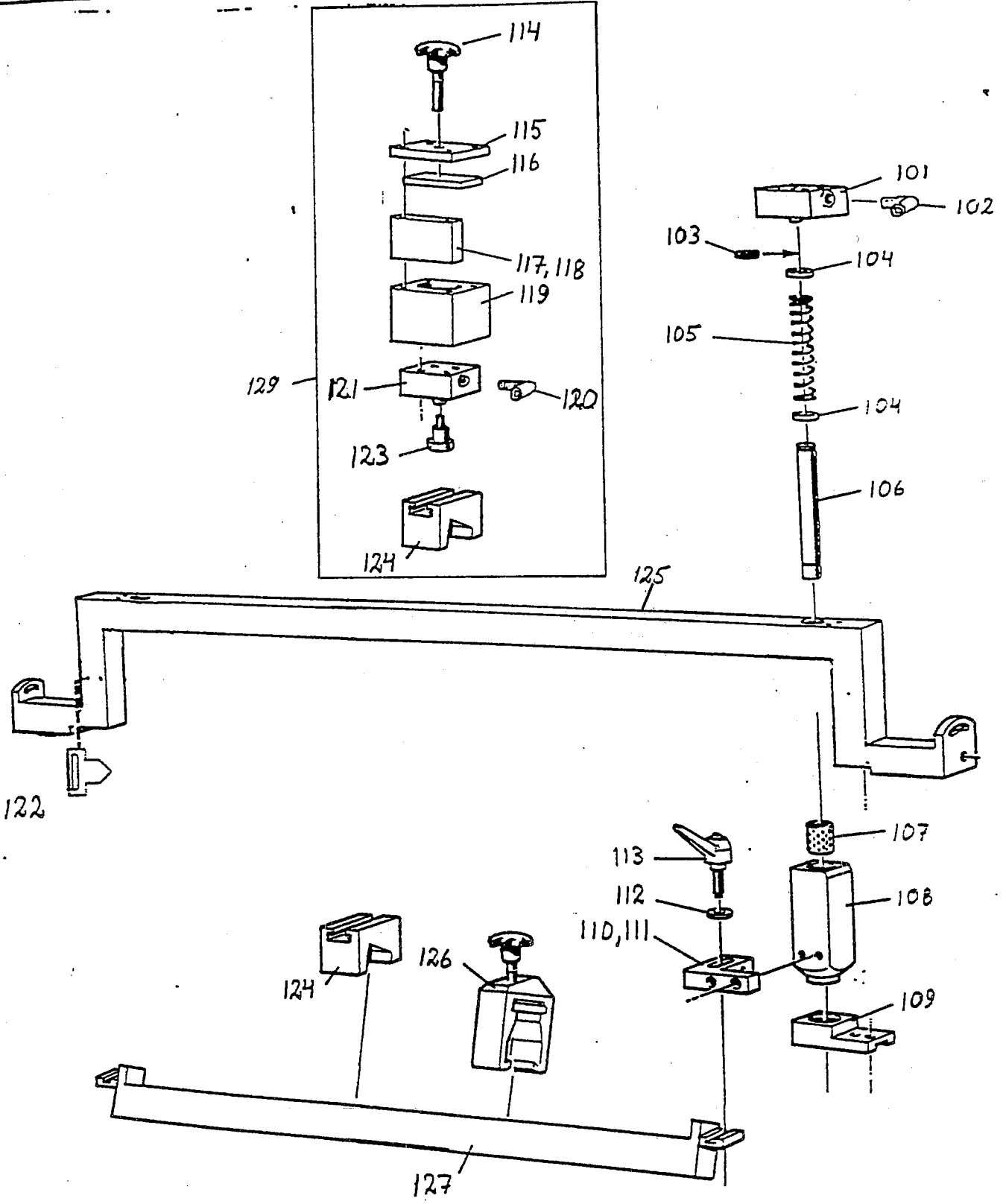
DL

"X"

Page

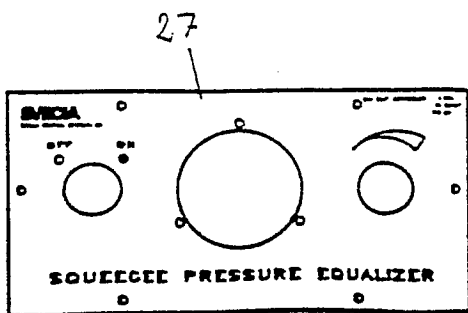
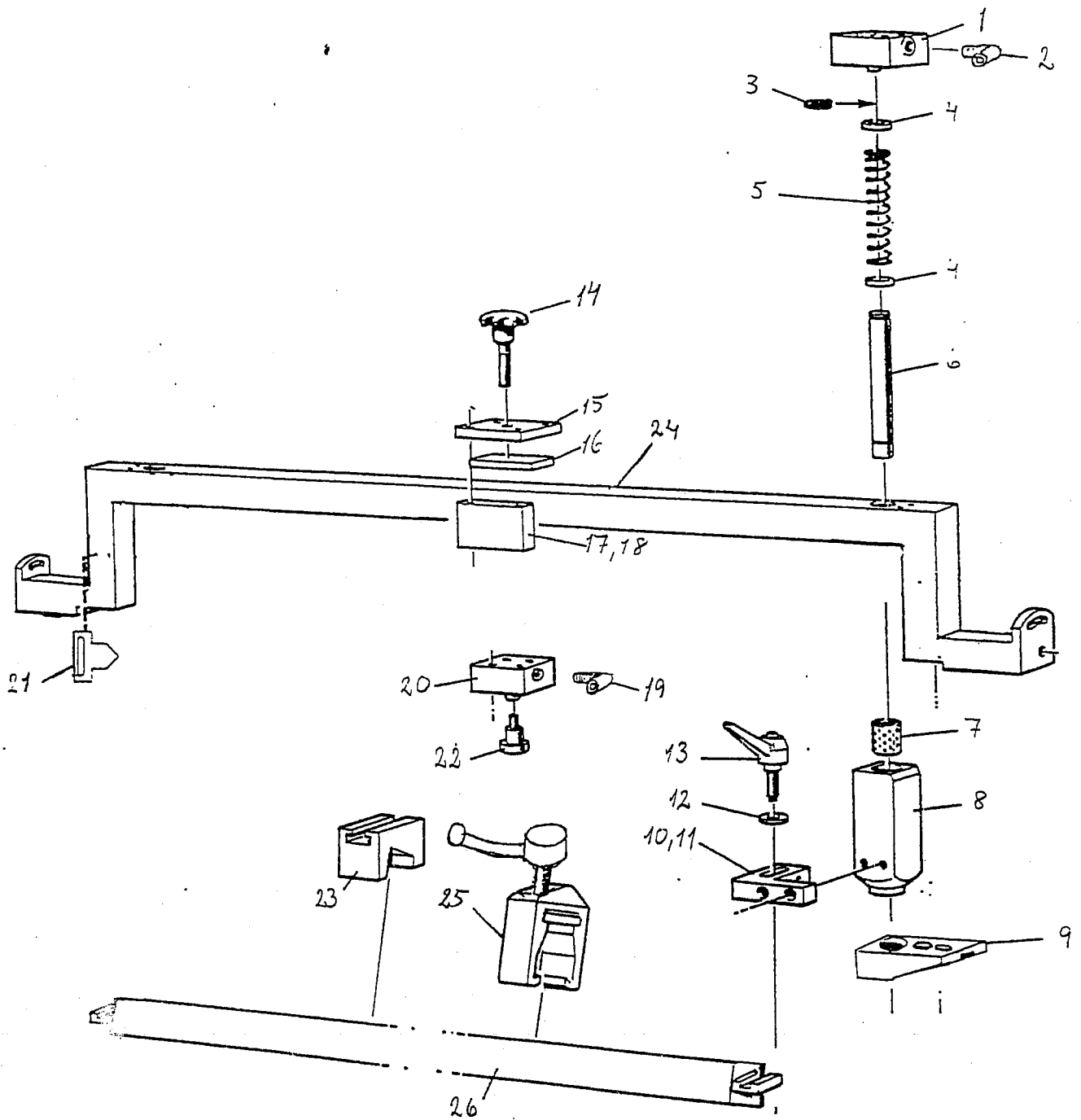
X01-19

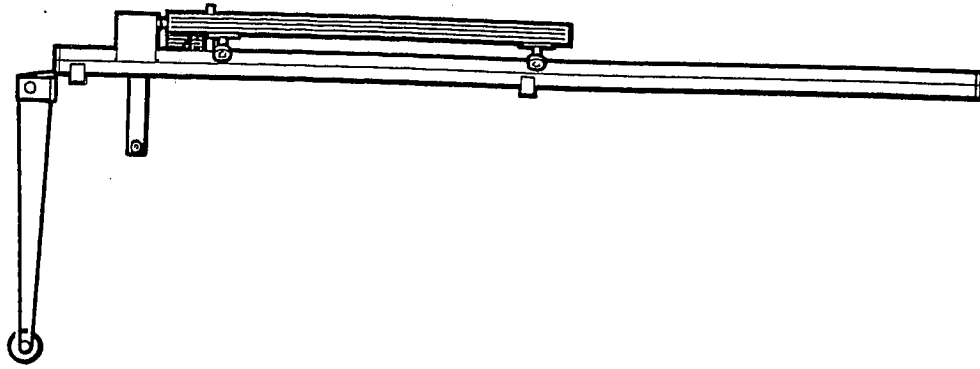
Item	Part No.	Qty	Description	Notes	
101	955131564	2	Cylinder	CO 5 S 32-10 KQL 04-U01 SgA 20	
102	955492655	2	Air conn.		
103	932900020	4	Groove ring		
104	25-40430-01	4	Spring holder		
105	12-40903-01	2	Spring		
106	25-40477-01	2	Column		
107	948598820	4	Ball bushing		0658-120-40
108	25-30565-61	2	Case, right & left incl. with heli-coil		
109	25-40433-01	2	Carrier		
110	25-40434-01	1	Bracket, right		
111	25-40434-02	1	Bracket, left		
112	934019015	2	Washer		
	01-40653-01	2	Fibre washer		
113	969703167	2	Locking lever	MR63P M8x25	
114	969700825	1	Knob	WN 450 M8x25	
115	25-40441-61	1	Plate incl. with heli-coil		
116	25-40497-01	1	Pressure plate		
117	25-40440-01	1	Bracket, rear		
118	25-40440-02	1	Bracket, front		
119	25-40568-01	1	Spacer		
120	955492656	1	Air conn.	KQL 04-U02 CO S 50-10	
121	954315009	1	Cylinder		
122	25-40514-01	2	Arrow		
123	25-40482-01	1	Pressure foot		
124	25-40438-01	1	Pressure block 15°		
125	25-20484-??	1	Bar, bridge	See page X01-19B	
126	25-40475-61	R	Squeegee holder spec.		
127	25-30439-??	1	Bar 15°		
128	979502908	1	Panel		
	955492910	1	Valve with turn knob		
	959965323	1	Gauge	Equalizer EVM 130 6532 0-120 Kp BA 651	
	955310651	1	Regulator		
	955310934	1	Ring for regulator		
129	R01901-024	1	Center press unit equalizer cpl.	DR-00-34-1	
1195	938110093	4	Screw	MC63 M6x100	



SVECIA SM-01		Machine unit description Pneumatic squeegee 1985-1988		DL "X"	Page X01-19
Item	Part No.	Qty	Description	Notes	
1	955131564	2	Cylinder	CO 5 S 32-10	
2	955492655	2	Air conn.	KQL 04-U01	
3	932900020	4	Groove ring	SgA 20	
4	25-40430-01	4	Spring holder		
5	12-40903-01	2	Spring		
6	25-40477-01	2	Column		
7	948598820	4	Ball bushing	0658-120-40	
8	25-40478-61	2	Case, right & left incl. with heli-coil		
9	25-40433-01	2	Carrier		
10	25-40434-01	1	Bracket, right		
11	25-40434-02	1	Bracket, left		
12	934019015	2	Washer	NB 8x19x1,5	
	01-40653-01	2	Fibre washer	8x20	
13	969703167	2	Locking lever	MR63P M8x25	
14	969700825	1	Knob	WN 450 M8x25	
15	25-40441-61	1	Plate incl. with heli-coil 25-40441-01	+ Heli coil 985 701 024	
16	25-40497-01	1	Pressure plate		
17	25-40440-01	1	Bracket, rear		
18	25-40440-02	1	Bracket, front		
19	955492656	1	Air conn.	KQL 04-U02	
20	954315009	1	Cylinder	CO S 50-10	
21	25-40514-01	2	Arrow		
22	25-40482-01	1	Pressure foot		
23	25-40438-01	1	Pressure block 15°		
24	25-20484-??	1	Bar, bridge	See page X01-19B	
25	25-40475-61	R	Squeegee holder spec.		
26	25-30439-??	1	Bar 15°		
27	979502908	1	Panel	Equalizer	
	955492910	1	Valve with turn knob	EVM 130	
	959965323	1	Gauge	6532 0-120 Kp	
	955310651	1	Regulator	BA 651	
	955310934	1	Ring for regulator	DR-00-34-1	

1985-88



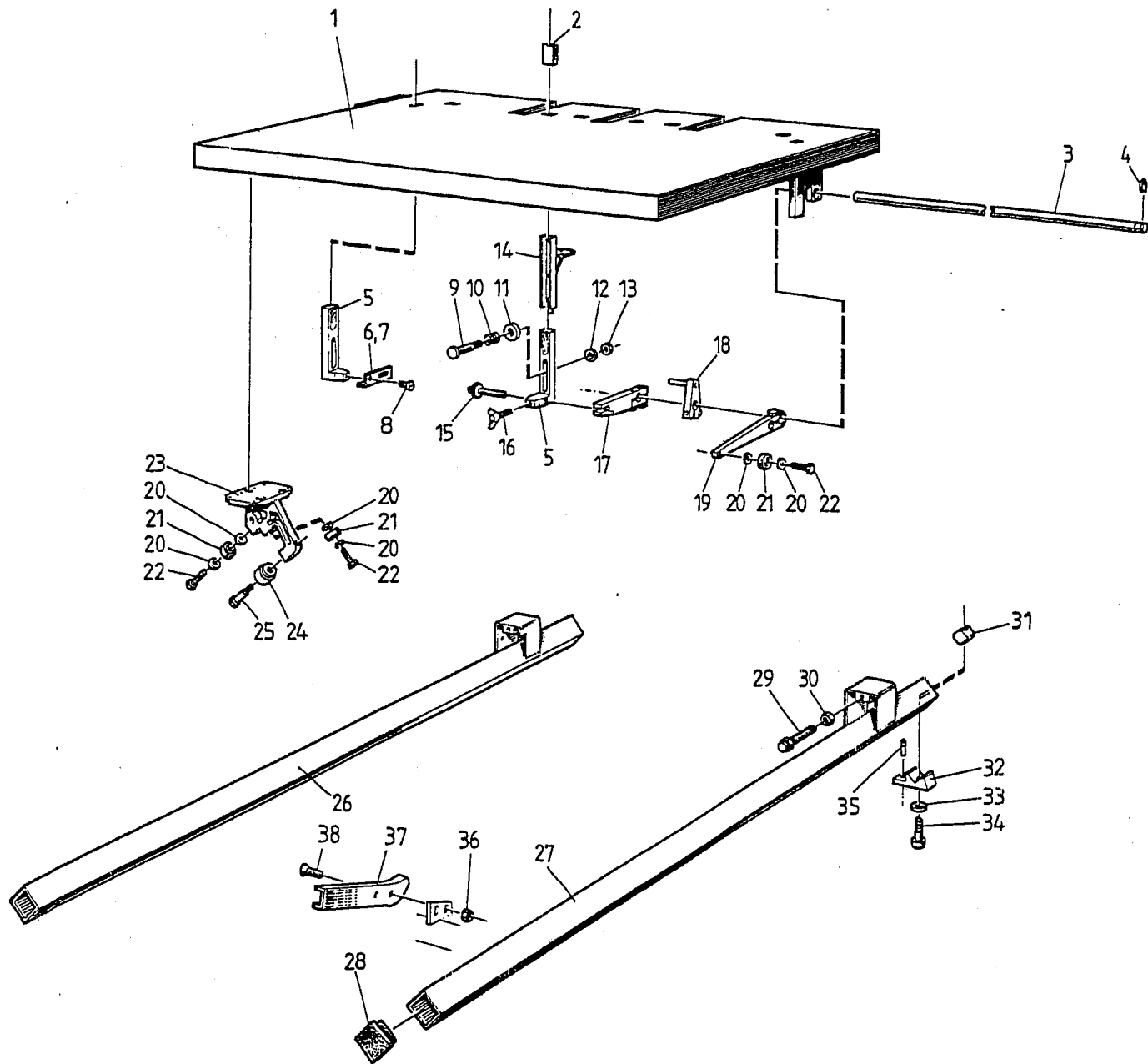


PRINTING TABLE AND RAIL
GRIPPER BEAM
CONVEYER DELIVERY SYSTEM

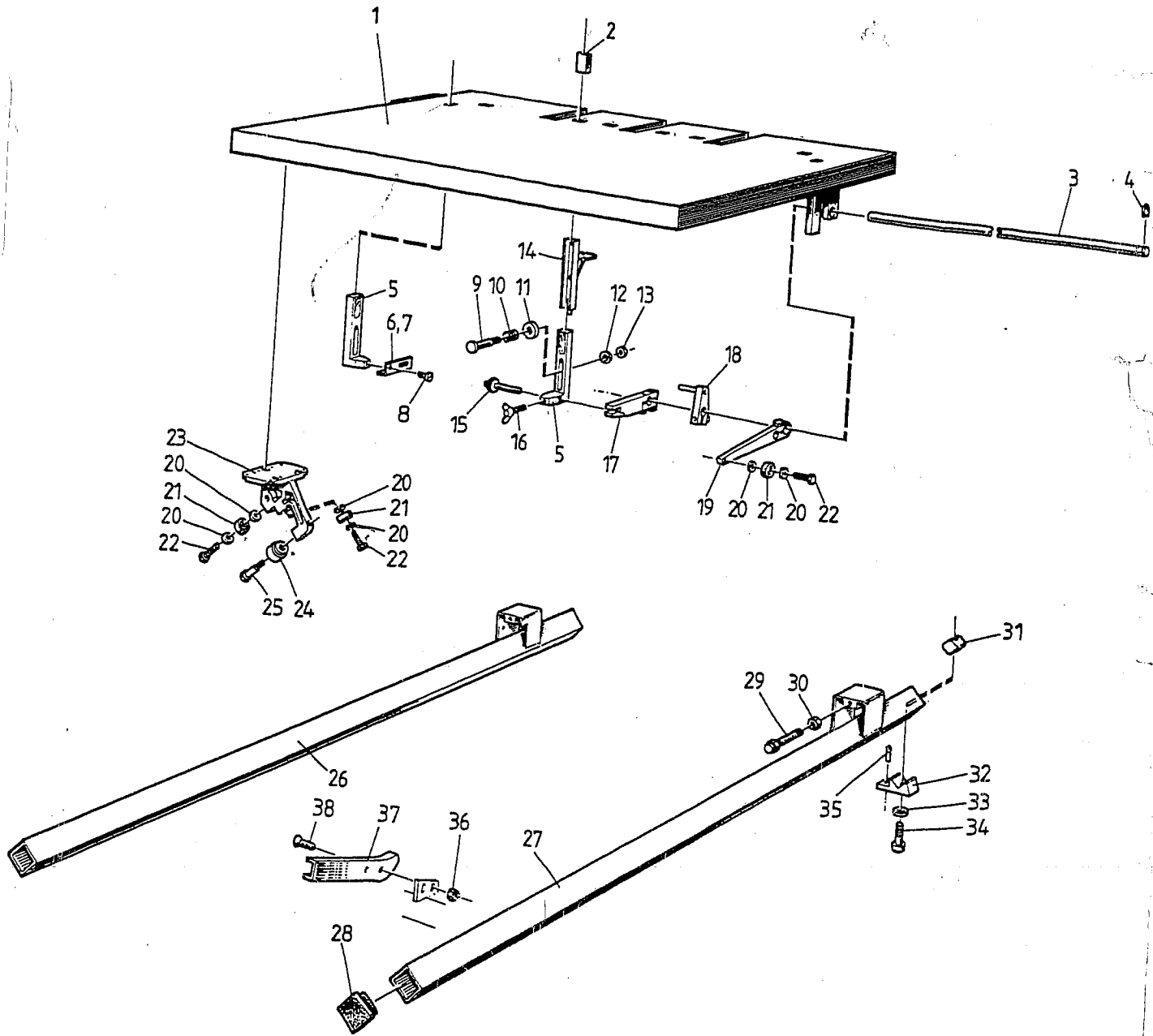
Page
X01-21
X01-22
X01-23

SVECIA SM-01	Machine unit description	DI	Page
	Printing table and rail	"X"	X01-21B

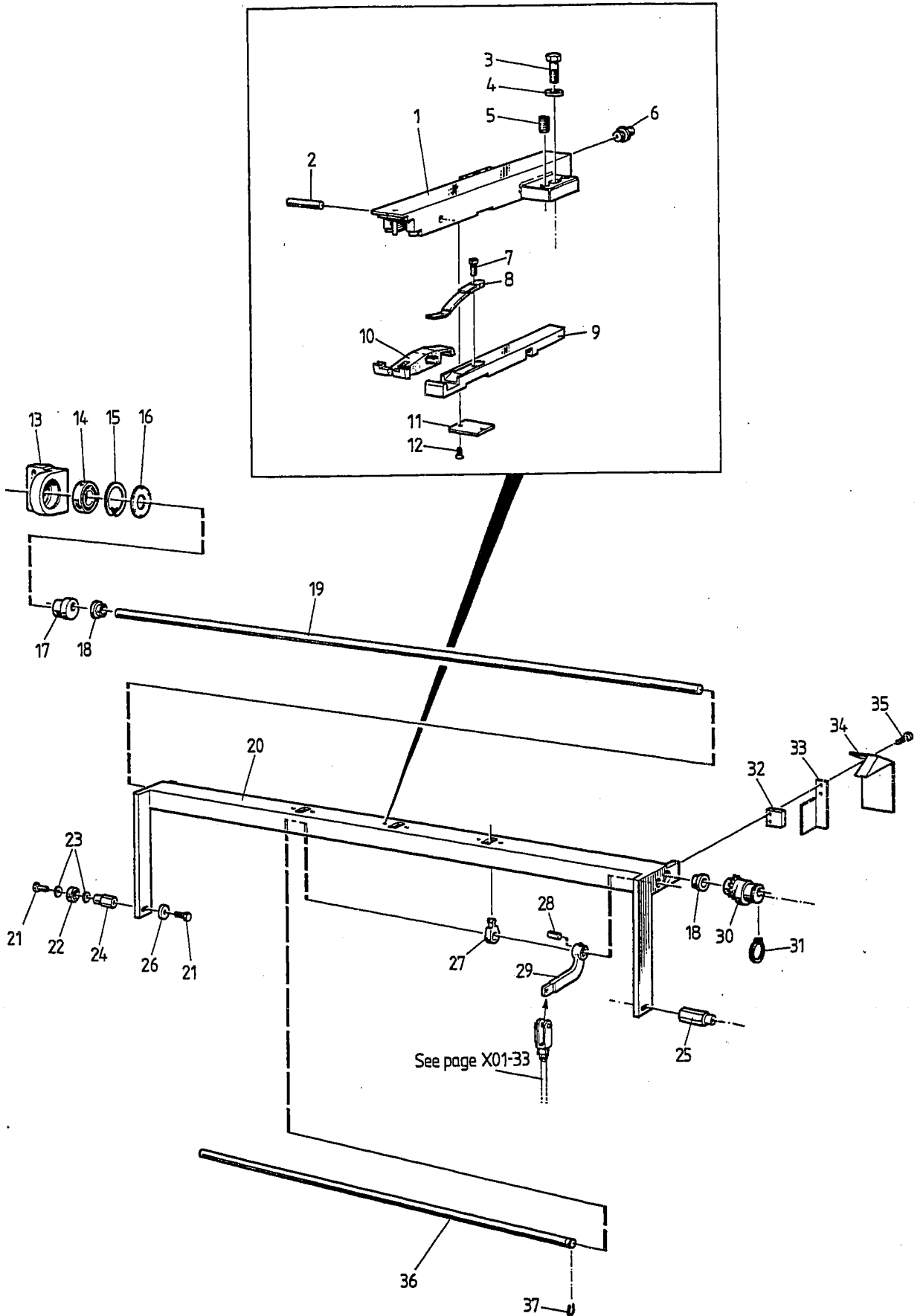
Item	Part No.	Qty	Description	Notes
1	01-30029-61	1	Printing table	SM 70-100
	01-30029-62	1	Printing table	SM A1
	01-30029-63	1	Printing table	SM 50-70
	01-30030-61	1	Printing table	SM A0
3	01-40275-01	1	Shaft	SM 50-70
	01-40275-02	1	Shaft	SM A1
	01-40275-03	1	Shaft	SM 70-100
	01-40275-05	1	Shaft	SM A0
26	01-33034-61	1	Table rail, left	SM 50-70
	01-33034-62	1	Table rail, left	SM A1
	01-33034-63	1	Table rail, left	SM 70-100
	01-33034-64	1	Table rail, left	SM A0
27	01-33035-61	1	Table rail, right	SM 50-70
	01-33035-62	1	Table rail, right	SM A1
	01-33035-63	1	Table rail, right	SM 70-100
	01-33035-64	1	Table rail, right	SM A0



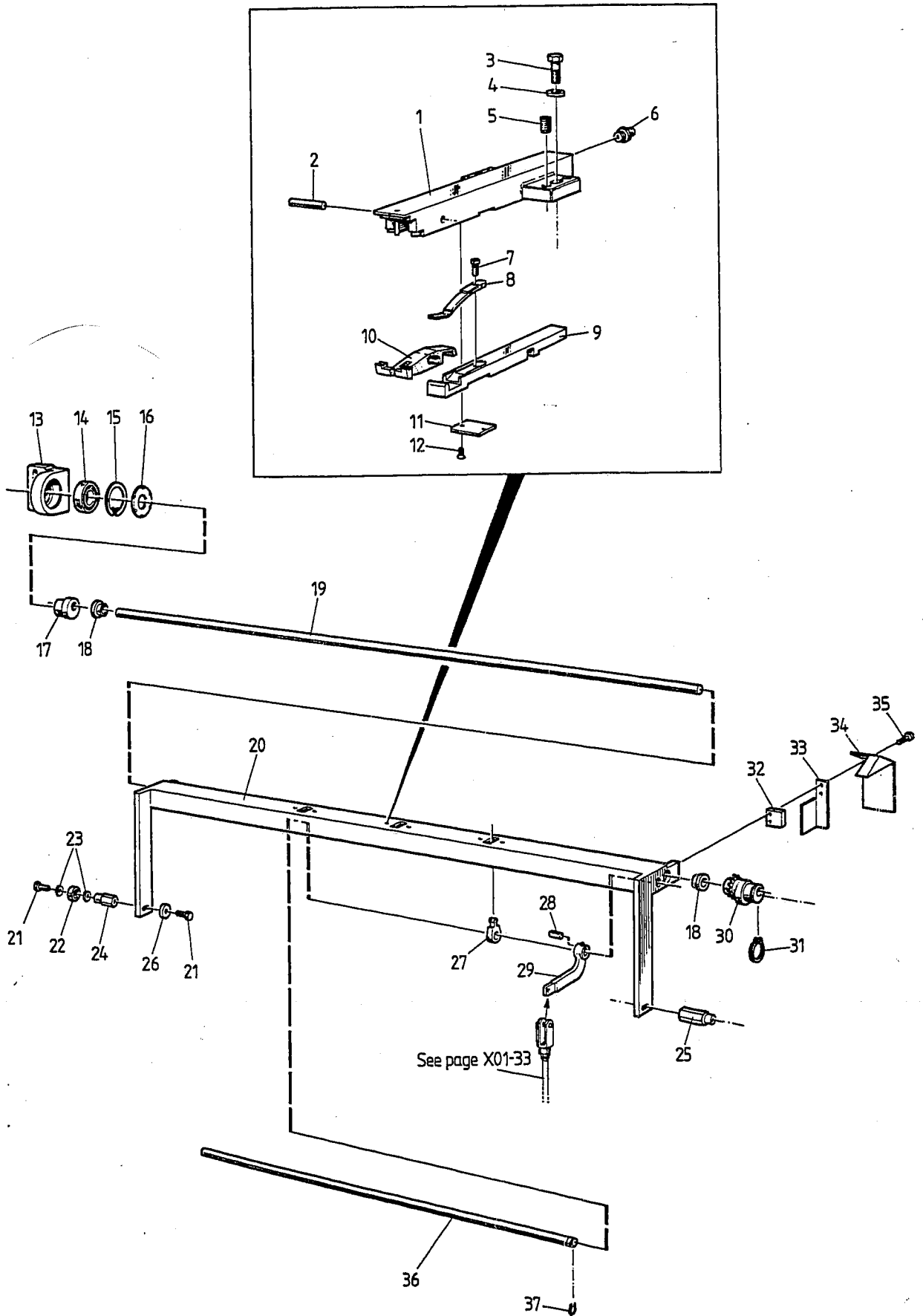
Item	Part No.	Qty	Description	Notes
1	??	1	Table	See page X01-21B
	01-40474-01	R	Shaft bracket	
	01-40267-01	1	Belt bracket, middle	
	01-40473-01	2	Belt bracket, side	
2	01-40847-01	R	Sleeve	
3	01-40275-??	1	Shaft	See page X01-21B
4	932900014	2	Groove ring	SgA 14
5	01-43343-61	R	Lay stop	
6	01-41018-02	1	Connecting bracket, left	
7	01-41018-01	1	Connecting bracket, right	
8	938110050	2	Screw	MC6S M5x10
9	01-43341-01	R	Dowel screw	
10	01-40107-25	R	Spring	
11	01-40531-01	R	Nylon washer	
12	933200064	R	Locking washer	IT 6,4
13	935010060	R	Nut	M6M M6
14	01-30064-02	R	Guide <i>-62/30mm board</i>	
	01-40848-01	R	Sealing plate	
15	932010026	R	Pin	CPK 6x40
	932010030	R	Pin	CPK 6x60
	01-40874-01	R	Knob	
16	935605020	R	Wing screw	M5x20
17	01-40651-61	R	Operating arm "Split type"	
	938001059	2	Screw	M6S M6x22
	934012015	2	Washer	BRB 6,4x12x1,5
18	01-40256-01	1	Stop	
	932240028	1	Expanding pin	4x28
19	01-40255-01	1	Arm	
	938001059	1	Screw	M6S M6x22
20	934012015	16	Washer	BRB 6,4x12x1,5
21	948500031	8	Ball bearing	626 2Z
22	938001058	8	Screw	M6S M6x20
23	01-30481-01	4	Bracket	
	01-30481-61	4	Bracket cpl.	
24	01-40487-02	4	Plastic wheel	
25	01-40487-01	1	Dowel screw	
26	01-33034-??	1	Table rail, left	See page X01-21B
27	01-33035-??	4	Table rail, right	See page X01-21B
28	01-40490-01	2	Cover plug	
29	01-40332-61	2	Stop	
30	935010080	4	Counter nut	M6M M8
31	01-40662-01	4	Rail nut	
32	01-40652-01	4	Bracket	
33	934228061	4	Washer	TBRBSB 10,5x28x6
34	938000110	4	Screw	M6S M10x45
35	932240010	4	Expanding pin	4x10
36	935035080	2	Locking nut	LM6M M8
37	01-33289-01	1	Laystop actuating track	
38	937608025	2	Screw	MF6S M8x25
17	01-40257-01	R	Operating arm	



Item	Part No.	Qty	Description	Notes
19	01-30905-01	1	Shaft "Gripper beam mov." L= 1300 mm	SM 50-70
	01-30905-02	1	Shaft "Gripper beam mov." L= 1450 mm	SM A1
	01-30905-03	1	Shaft "Gripper beam mov." L= 1600 mm	SM 70-100
	01-30905-04	1	Shaft "Gripper beam mov." L= 1800 mm	SM A0
20	01-30893-61	1	Gripper beam L= 1200 mm	SM 50-70
	01-30893-62	1	Gripper beam L= 1350 mm	SM A1
	01-30893-63	1	Gripper beam L= 1500 mm	SM 70-100
	01-30893-64	1	Gripper beam L= 1700 mm	SM A0
36	01-33036-01	1	Shaft "Gripper closing" L= 831 mm	SM 50-70
	01-33036-02	1	Shaft "Gripper closing" L= 981 mm	SM A1
	01-33036-03	1	Shaft "Gripper closing" L= 1081 mm	SM 70-100
	01-33036-04	1	Shaft "Gripper closing" L= 1306 mm	SM A0

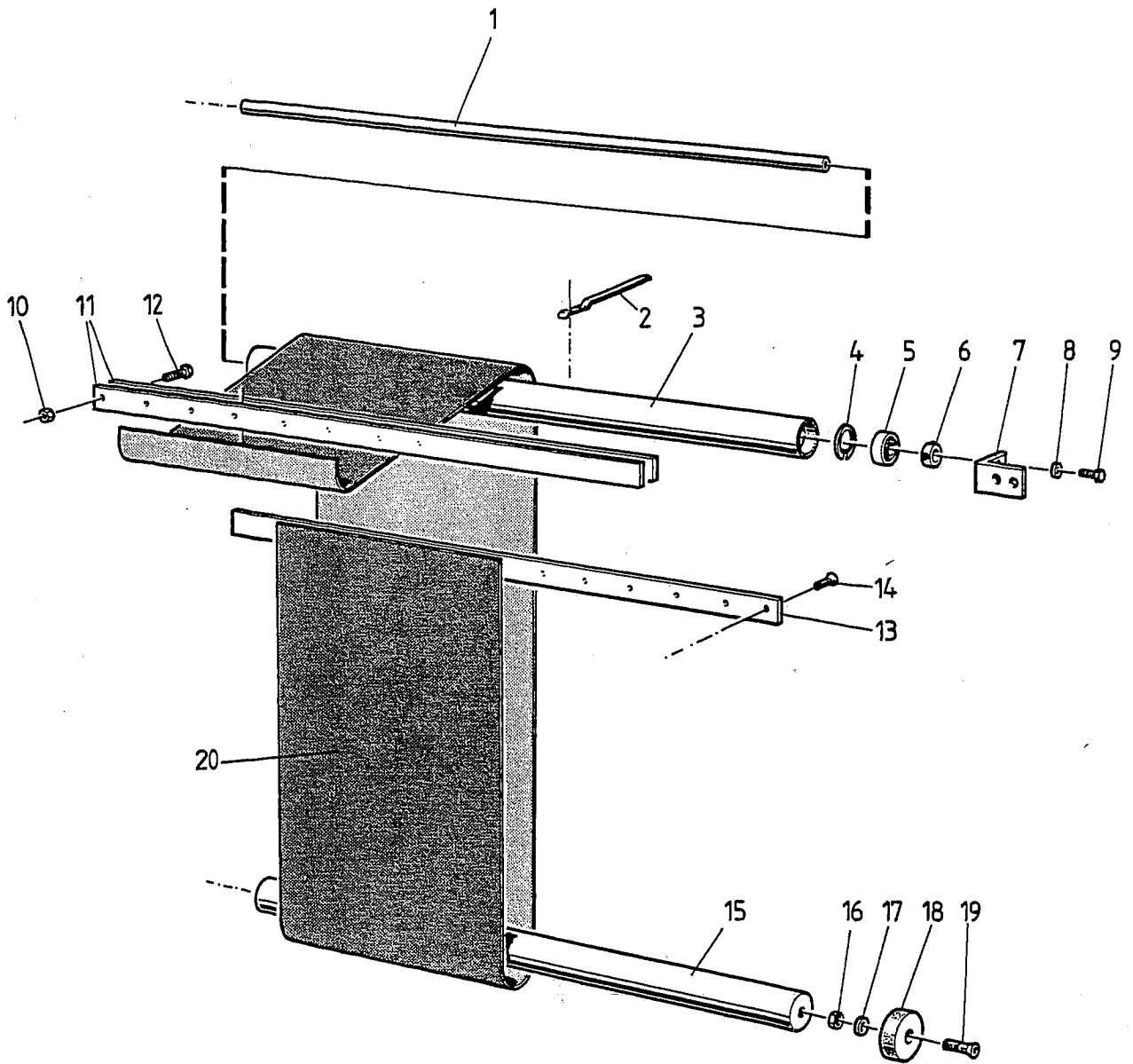


SVECIA SM-01		Machine unit description Gripper beam		Dr "X"	Page X01-22
Item	Part No.	Qty	Description	Notes	
1	40-24336-61	R	Gripper cpl.		
2	932000010	1	Pin	CP 5x28	
3	938001107	2	Screw	M6S M10x30	
4	934122040	2	Washer	TBRB 10,5x22x4	
5	937210012	4	Adjusting screw	P6SS M10x12	
6	959995018	1	Nipple	KR 1/8 509 F	
7	938200147	1	Screw	MCS M4x10	
8	01-43422-61	1	Blade spring		
9	01-30014-05	1	Operating slide		
10	01-30014-06	1	Movable jaw		
11	01-30015-04	2	Guide plate		
12	938403008	4	Screw	MFS M3x8	
13	01-30624-01	2	Bearing housing		
14	948510070	2	Ball bearing	1206	
15	932920062	2	Groove ring	JV-62	
16	01-40951-01	1	Cover ring "Left"		
	01-40951-02	1	Cover ring "Right"		
17	01-40842-01	1	Eccentric shaft		
18	948902382	2	Flanged oilbronzed bushing	16/22x12-28/3	
19	01-30905-??	1	Shaft	See page X01-22B	
20	01-30893-??	1	Gripper beam	See page X01-22B	
21	938001085	2	Screw	M6S M8x30	
	938001096	2	Screw	M6S M6x20	
22	948500031	2	Ball bearing	626-2Z	
23	934012015	4	Washer	BRB 6,4x12x1,5	
24	01-40897-02	1	Guiding arm "Left"	L = 50 mm	
25	01-40897-01	1	Guiding arm "Right"	L = 67 mm	
26	934226050	2	Washer	TBRBSB 8,4x26x5	
27	01-40059-01	R	Driver		
	936806006	R	Stop screw	SK6SS M6x6	
28	935305015	1	Key	RK 5x5x15	
29	01-40435-01	1	Arm		
30	01-43286-01	1	Eccentric sprocket		
31	932900030	1	Groove ring	SgA 30	
32	01-40896-01	1	Locking plate		
33	01-30607-02	1	Chain cover		
34	01-30607-01	1	Chain cover		
35	938305016	2	Screw	LKCS M5x16	
36	01-33036-??	1	Shaft	See page X01-22B	
37	932900015	2	Groove ring	SgA 15	



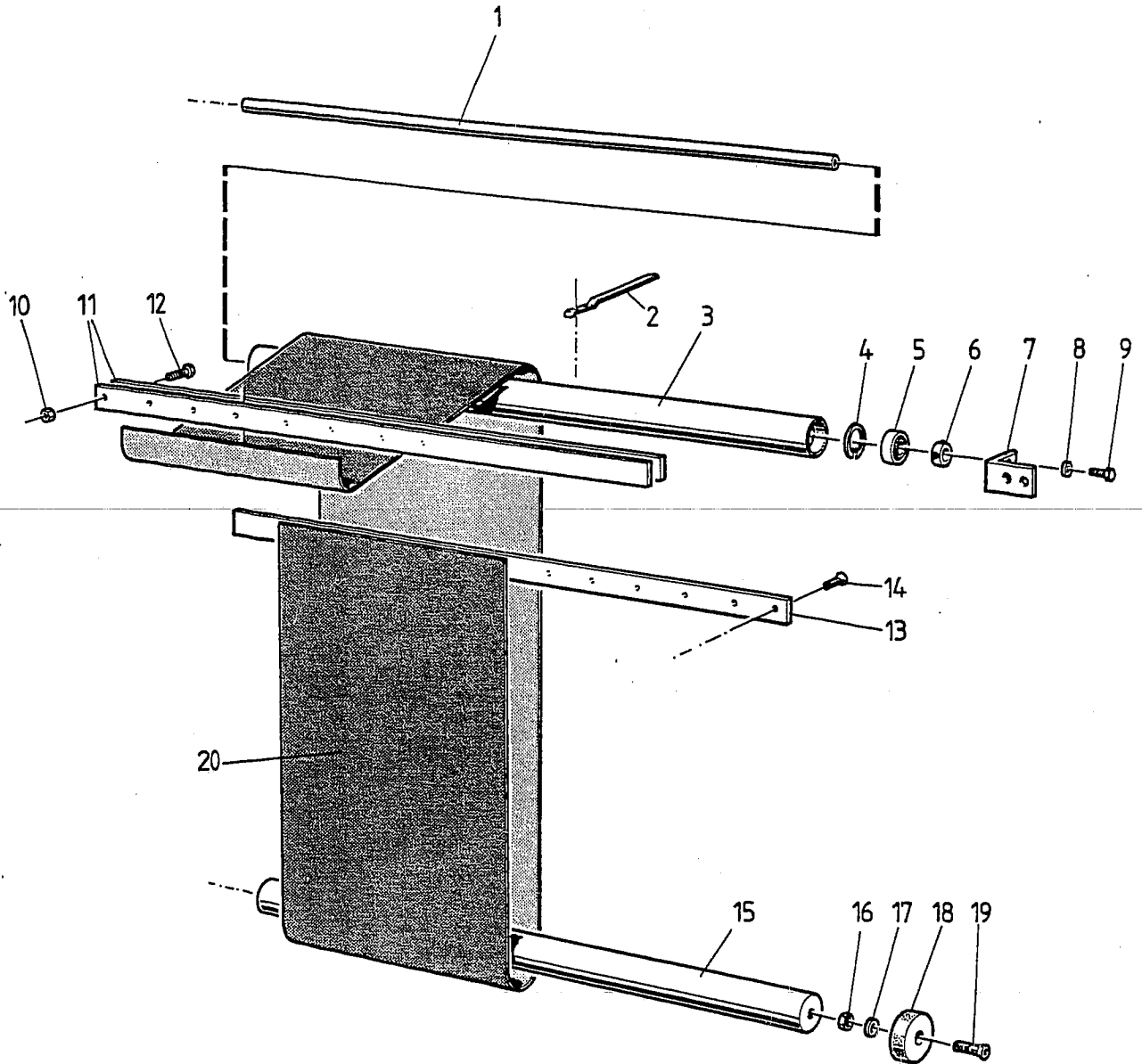
SVECIA SM-01	Machine unit description Conveyer delivery system	DL "X"	Page X01-23B
-------------------------------	---	------------------	------------------------

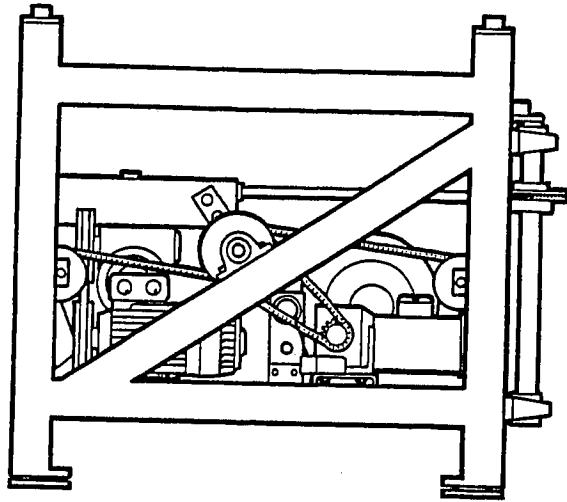
Item	Part No.	Qty	Description	Notes
1	01-40615-01	1	Shaft L= 1340 mm	SM A0
	01-40615-02	1	Shaft L= 1140 mm	SM 70-100
	01-40615-03	1	Shaft L= 990 mm	SM A1
	01-40615-04	1	Shaft L= 840 mm	SM 50-70
3	01-40613-01	1	Roller L= 1300 mm	SM A0
	01-40613-02	1	Roller L= 1100 mm	SM 70-100
	01-40613-03	1	Roller L= 950 mm	SM A1
	01-40613-04	1	Roller L= 800 mm	SM 50-70
11	01-20962-01	2	Bracket "Table" L= 780 mm	SM 50-70
	01-20963-01	2	Bracket "Table" L= 1080 mm	SM 70-100
	01-20964-01	2	Bracket "Table" L= 1280 mm	SM A0
	01-21015-01	2	Bracket "Table" L= 930 mm	SM A1
13	01-30923-01	1	Bracket "Frame" L= 780 mm	SM 50-70
	01-30923-02	1	Bracket "Frame" L= 930 mm	SM A1
	01-30923-03	1	Bracket "Frame" L= 1080 mm	SM 70-100
	01-30923-04	1	Bracket "Frame" L= 1280 mm	SM A0
15	01-43083-01	1	Tension roller L= 1280 mm	SM A0
	01-43083-02	1	Tension roller L= 1080 mm	SM 70-100
	01-43083-03	1	Tension roller L= 930 mm	SM A1
	01-43083-04	1	Tension roller L= 780 mm	SM 50-70
20a	01-40773-61	1	Belt set	SM 50-70
	01-40774-61	1	Belt set	SM A1
	01-40775-61	1	Belt set	SM 70-100
	01-40777-61	1	Belt set	SM A0
			} 3st band oller.	
20b	948477501	1	Belt set "Full size" 780 x 1300	SM 50-70
	948477502	1	Belt set "Full size" 930 x 1400	SM A1
	948477503	1	Belt set "Full size" 1080 x 1500	SM 70-100
	948477504	1	Belt set "Full size" 1280 x 1600	SM A0
			} 1st band	



SVECIA SM-01	Machine unit description Conveyer delivery system	DL "X"	Page X01-23
-------------------------------	---	------------------	-----------------------

Item	Part No.	Qty	Description	Notes
1	01-40615-??	1	Shaft	See page X01-23-B
2	06-40380-01	R	Delivery finger	
3	01-40613-??	1	Roller	See page X01-23-B
4	932910035	2	Groove ring	SgH 35
5	948501092	2	Ball bearing	6202 2Z
6	08-40275-01	2	Stop ring	
7	01-40616-01	2	Bracket	
8	933600008	2	Locking washer	FBB 8
9	938001082	2	Screw	M6S M8x20
10	935010060	2	Nut	M6M M6
11	?	2	Bracket "Table"	See page X01-23-B
12	938000060	R	Screw	M6S M6x25
	934014015	R	Washer	BRB 6,4x14x1,5
13	01-30923-??	1	Bracket "Frame"	See page X01-23-B
14	937606012	R	Screw	MF6S M6x12
15	01-43083-??	1	Tension roller	See page X01-23-B
16	935010080	2	Nut	M6M M8
17	934226050	2	Washer	TBR SB 8,4x26x5
18	01-40614-01	2	Wheel	
19	937608035	2	Screw	MF6S M8x35
20	?	1	Belt set	See page X01-23-B
21	01-43131-??	1	Conveyer belt Side way "Right & left"	



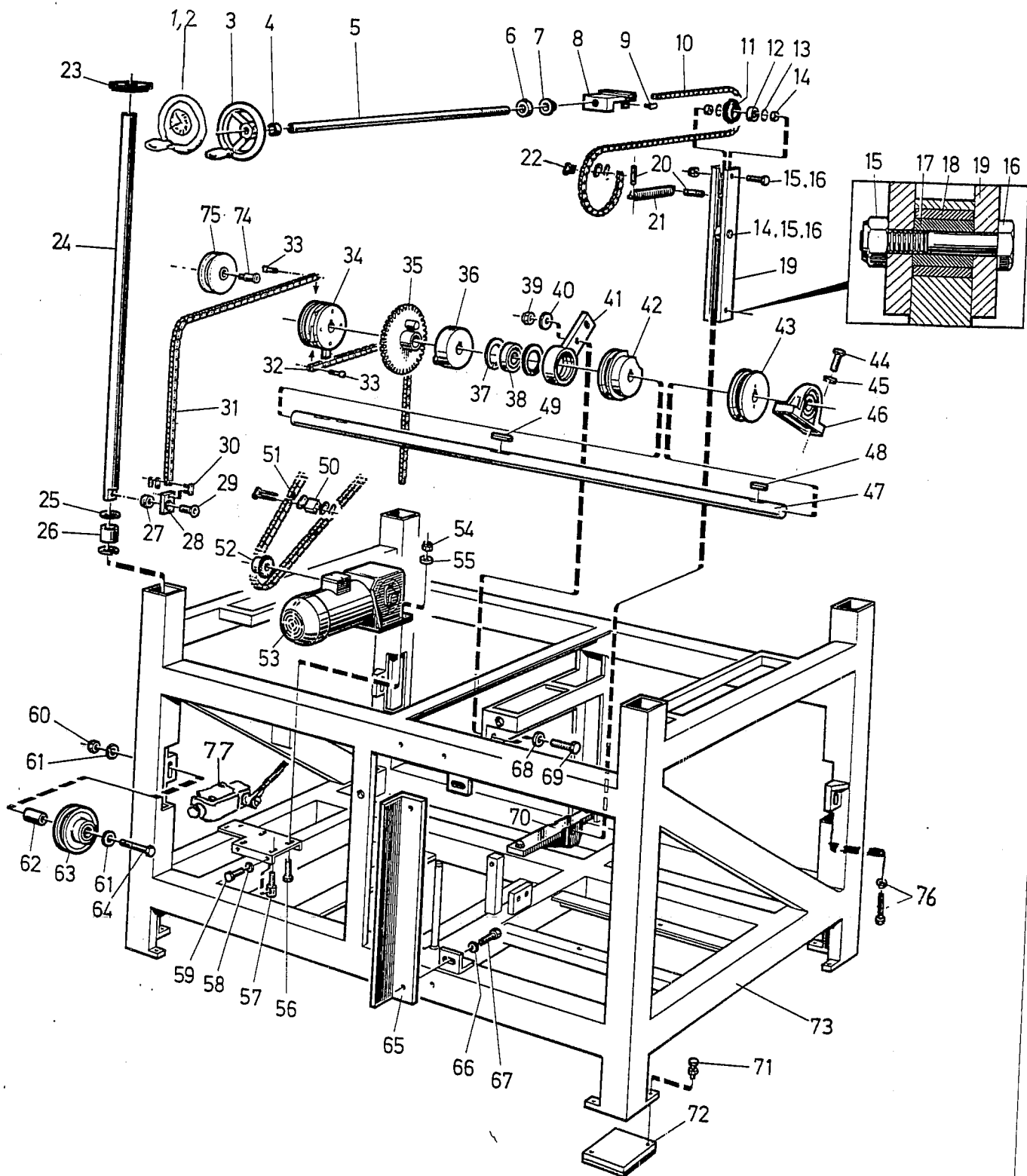


FRAME AND PRINTING HEAD LIFTER
MAIN CAM SHAFT
GRIPPER OPERATING
TABLE MOVEMENT
VACUUM TURBIN ASSEMBLY

Page
X01-31
X01-32
X01-33
X01-34
X01-35

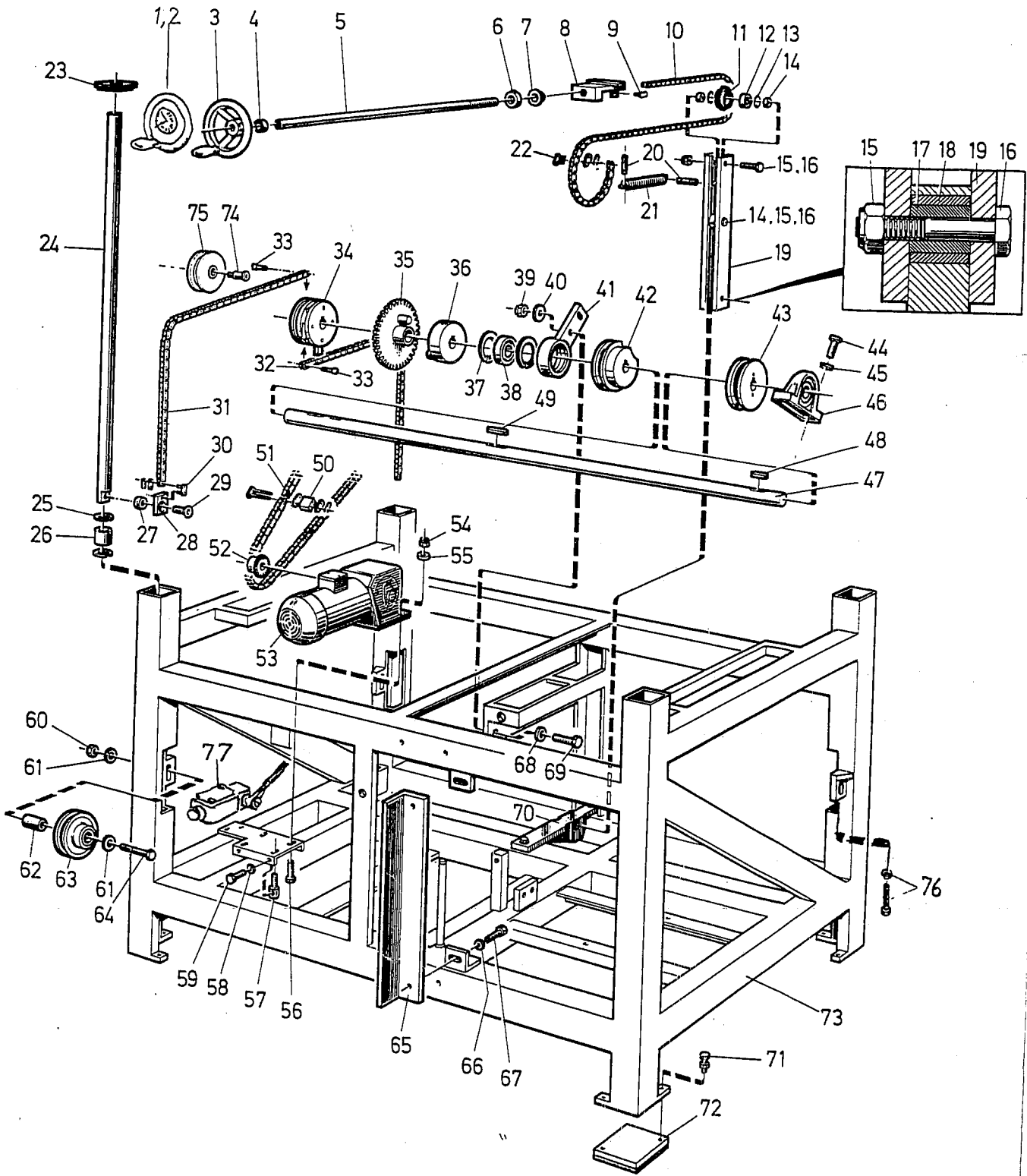
SVECIA SM-01	Machine unit description	DL	Page
	Frame and printing head lifter	"X"	X01-31C

Item	Part No.	Qty	Description	Notes
5	01-40210-10	1	Shaft "Off-contact" L= 880 mm	SM 50-70
	01-40210-11	1	Shaft "Off-contact" L= 980 mm	SM A1
	01-40210-12	1	Shaft "Off-contact" L= 1080 mm	SM 70-100
	01-40210-13	1	Shaft "Off-contact" L= 1180 mm	SM A0
10	948400002	1	Chain "Off-contact" L= 730 mm	SM 50-70 / A1
	948400002	1	Chain "Off-contact" L= 755 mm	SM 70-100 / A0
31	948400002	2	Chain "Front" L= 1038 mm / 109 L.	SM 50-70
	948400002	2	Chain "Front" L= 1153 mm / 121 L.	SM A1
	948400002	2	Chain "Front" L= 1248 mm / 131 L.	SM 70-100
	948400002	2	Chain "Front" L= 1343 mm / 141 L.	SM A0
32	948400002	2	Chain "Rear" L= 910 mm / 95 L.	
34	00-45952-61	1	Chain wheel cpl. assembly	
47	01-33032-01	1	Shaft "Frame lifting" L= 1472 mm	SM 50-70
	01-33032-02	1	Shaft "Frame lifting" L= 1622 mm	SM A1
	01-33032-03	1	Shaft "Frame lifting" L= 1772 mm	SM 70-100
	01-33032-04	1	Shaft "Frame lifting" L= 1972 mm	SM A0
51	948400002	1	Chain "Lift motor" L= 965 mm	SM 50-70 / 70-100
	948400002	1	Chain "Lift motor" L= 905 mm	SM A0
73	01-13004-61	1	Frame	SM 50-70
	01-13005-61	1	Frame	SM A1
	01-13006-61	1	Frame	SM 70-100
	01-13007-61	1	Frame	SM A0



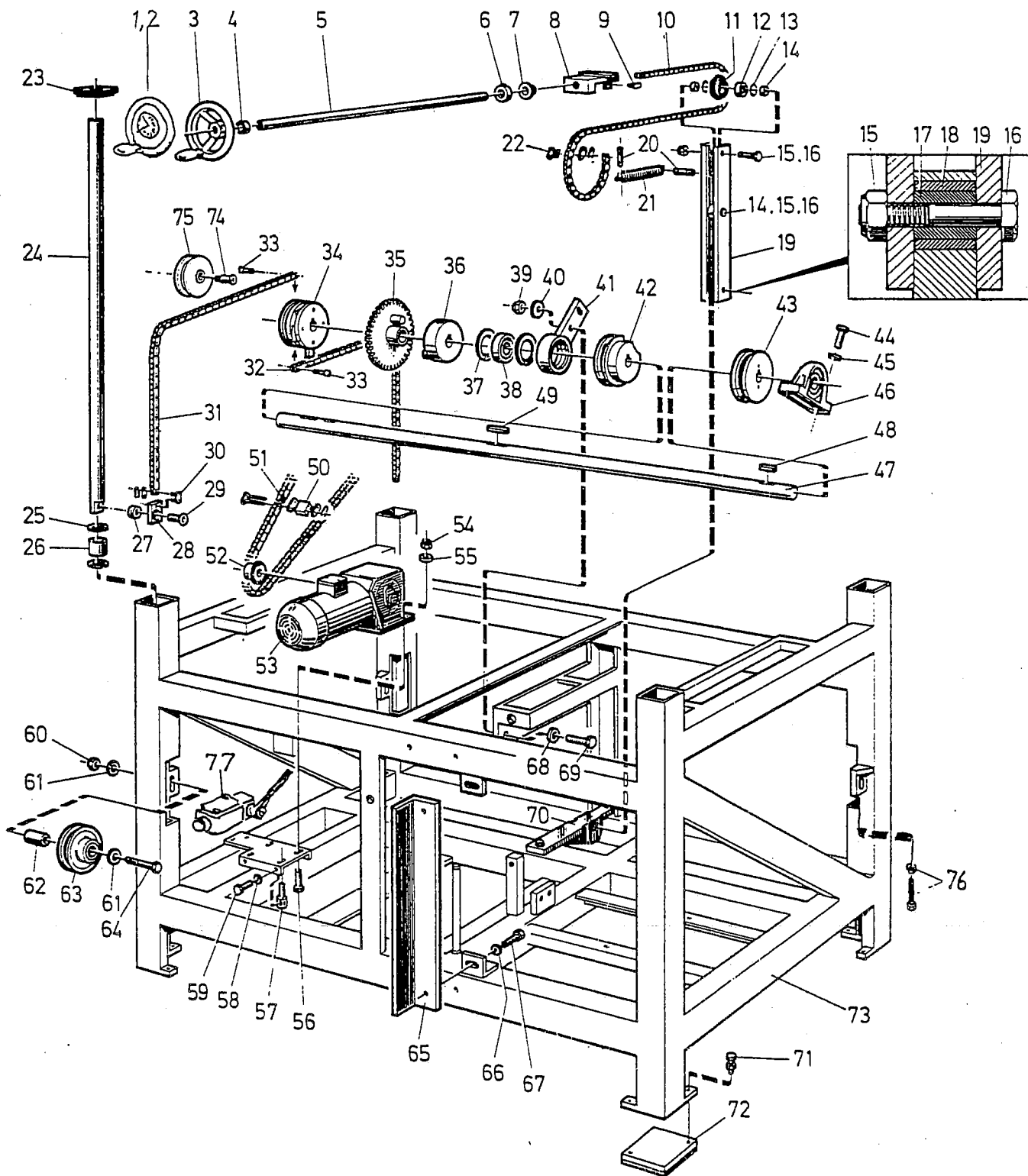
SVECIA SM-01	Machine unit description	DL	Page
	Frame and printing head lifter	"X"	X01-31B

Item	Part No.	Qty	Description	Notes
42	01-40138-01	1	Chain wheel "Off-contact"	P6SS M8x12
	937208012	1	Stop screw	
43	01-40066-01	1	Chain wheel "Frame lifting"	P6SS M8x8
	937208008	1	Stop screw	M6S M10x40
44	938000109	4	Screw	LM6MF M10
	935047100	4	Flanged locking nut	TBRB 10,5x22x4
45	934122040	4	Washer	Pase 25
46	948571018	2	Ball bearing cpl.	See page X01-31C
47	01-33032-??	1	Shaft	RK 8x7x30
48	935308030	2	Key	RK 8x7x50
49	935308050	2	Key	
50	01-40787-01	1	Operational device	3/8" Simplex No:26
	948400111	1	Chain lock	See page X01-31C
51	948400002	1	Chain "Lift motor"	
52	01-40328-02	1	Sprocket	DB 54 SZ 2 50 Hz
53	970400050	1	Lift motor	DB 54 SZ 2 60 Hz
	970400051	1	Lift motor	LM6MF M8
54	935047080	4	Flanged locking nut	TBRB 8,4x16x3
55	934116030	2	Washer	M6S M8x30
56	938001085	2	Screw	
57	01-40377-01	2	Screw	M6M M6
58	935010060	2	Nut	M6S M6x50
59	938001065	2	Tension screw	M6M M10
60	935010100	4	Nut	TBRB 10,5x22x4
61	934122040	8	Washer	TBRB 10,5x28x6
	934228061	4	Washer	
62	01-40426-01	4	Bushing	
63	01-40139-61	4	Chain wheel incl. oilbronzed bushing	25/35x35
	948901095	4	Oilbronzed bushing	M6S M10x90
64	938000118	4	Screw	
65	25-40260-02	1	Support	TBRB 8,4x26x5
66	934226050	2	Washer	M6S M8x20
67	938000082	2	Screw	TBRB 10,5x22x4
68	934122040	2	Washer	M6S M10x45
69	938000110	2	Screw	
70	40-31082-01	1	Arm bracket	M6S M10x55
71	938000112	8	Screw	M6M M10
	935010100	8	Nut	
	25-40188-01	4	Support "Cover plates"	120x120x12
72	25-40219-01	4	Support "Foot plates"	See page x01-31C
73	?	1	Frame	H 10x25
74	935810025	2	Dowel screw	
75	01-43171-01	2	Jockey wheel	10/16x20
	948900360	2	Bearing bush	M6M M8
	935010080	2	Counter nut	M6S M8x60
76	938001091	8	Screw	M6M M8
	935010080	8	Counter nut	ZC2-JC 2
77	973051002	1	Switch	ZC2-JE 04
	973052004	1	Switch head	ZC2-JY 81
	973053081	1	Break pin	

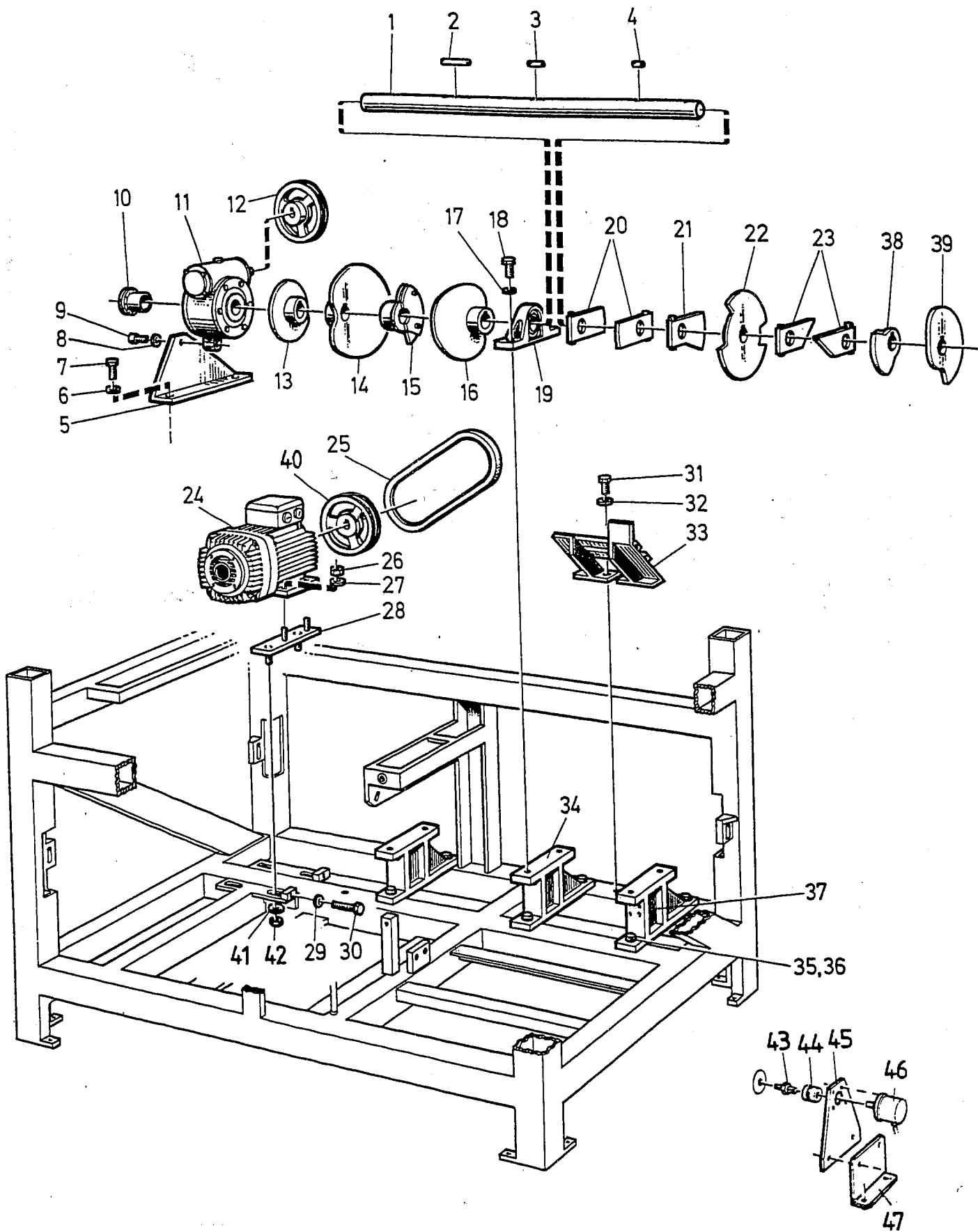


SVECIA SM-01	Machine unit description	DL	Page
	Frame and printing head lifter	"X"	X01-31

Item	Part No.	Qty	Description	Notes
1	969700502	1	Adjusting wheel with scale	SK6SS M6x8
2	936806008	2	Stop screw	
3	01-40360-01	1	Adjusting wheel	16/22x16
4	948900709	1	Bearing bush	M8x20
	01-40961-01	1	Stop screw "Nylon"	See page X01-31C
5	01-40210-??	1	Adjusting screw	
6	01-40872-01	2	Stop ring	4x28
	932240028	2	Expanding pin	16/22x16-28x4
7	948902382	1	Flanged oilbronzed bushing	
8	40-31090-62	1	Sliding bracket	3/8" Simplex No:26
9	948400107	1	Chain lock	See page X01-31C
10	948400002	1	Chain "Off-contact"	3/8" Z=17
11	01-40214-01	1	Sprocket	NATR-10
12	948598029	1	Ball bearing	JV 30
13	932920030	2	Groove ring	
14	01-40279-03	2	Spacer	BRB 10,5x22x2
	934022020	2	Washer	LM6M M10
15	935035100	3	Locking nut	M6S M10x55
16	938000112	3	Screw	NUTR-17
	948598069	1	Stud roller	
	01-40089-03	1	Bushing	
17	01-40294-01	1	Bushing	20/28x24
18	948900928	1	Bearing bush	
19	40-41087-01	2	Operational arm	
20	01-40584-01	2	Thread pin	
21	01-40106-01	1	Spring	3/8" Simplex No:26
22	948400107	1	Chain lock	
23	01-40972-01	4	Cover plate	
24	01-40166-02	4	Lift column	JV 35
25	932920035	20	Groove ring	
	01-41013-01	4	Felt gasket	
	01-40948-01	4	Washer	25/35x50
26	948902642	8	Bearing bush	
27	01-40933-01	4	Spacer	
28	01-40932-01	4	Connection link	MF6S M12x40
29	937612040	4	Screw	3/8" Simplex No:26
30	948400107	4	Chain lock	See page X01-31C
31	948400002	2	Chain "Front"	See page X01-31C
32	948400002	2	Chain "Rear"	MC6S M5x35
33	938110059	4	Screw	3/8" Simplex No:26
	948400107	4	Chain lock	
	01-43141-01	4	Chain link	
34	01-40203-01	1	Chain wheel with security device	See page X01-31C
	937208008	1	Stop screw	P6SS M8x8
	01-40204-01	4	Stop	
	01-40204-02	4	Pin	
35	01-43033-61	1	Sprocket with operational device	25/35x50
	948901103	1	Bearing bush	
36	01-40172-61	1	Driving stud	P6SS M8x12
	937208012	1	Stop screw	JV 62
37	932920062	2	Groove ring	2206 2RS
38	948510080	1	Ball bearing	H 306 FC
	948590022	1	Locking sleeve	LM6MF M10
39	935047100	2	Flanged locking nut	TBRB 10,5x22x4
40	934122040	2	Washer	
41	01-30120-01	1	Bearing support	



SVECIA SM-01		Machine unit description Main cam shaft		DL "X"	Page X01-32C
Item	Part No.	Qty	Description	Notes	
1a	01-33031-01	1	Main shaft L= 930 mm	SM 50-70	
	01-33031-02	1	Main shaft L= 1005 mm	SM A1	
	01-33031-03	1	Main shaft L= 1080 mm	SM 70-100	
	01-33031-04	1	Main shaft L= 1180 mm	SM A0	
1b	01-33030-01	1	Main shaft cpl. Incl. Pos 2,3,13,14,15,16	SM 50-70	
	01-33030-02	1	Main shaft cpl. Incl. Pos 2,3,13,14,15,16	SM A1	
	01-33030-03	1	Main shaft cpl. Incl. Pos 2,3,13,14,15,16	SM 70-100	
	01-33030-04	1	Main shaft cpl. Incl. Pos 2,3,13,14,15,16	SM A0	
12a	01-40632-10	1	V-grooved pulley "50 Hz" Dd 125 mm	SM 50-70/A1	
	01-40632-12	1	V-grooved pulley "50 Hz" Dd 140 mm	SM 70-100	
	01-40632-13	1	V-grooved pulley "50 Hz" Dd 150 mm	SM A0	
12b	01-40632-13	1	V-grooved pulley "60 Hz" Dd 150 mm	SM 50-70/A1	
	01-40632-15	1	V-grooved pulley "60 Hz" Dd 170 mm	SM 70-100	
	01-40632-16	1	V-grooved pulley "60 Hz" Dd 180 mm	SM A0	
20	06-41009-61	R	Cam, standard "Split type" 06-30791-01		
21	06-41010-61	R	Cam, wide "Split type"		
23	06-41011-61	R	Cam, arrow "Split type"		
25	944010043	1	V-belt A	SM 50-70	
	944010045	1	V-belt A	SM A1	
	944010045	1	V-belt A	SM 70-100	
	944010046	1	V-belt A	SM A0	
33	01-20636-61	1	Bracket "Microswitch"	SM 50-70	
	40-31100-61	1	Bracket "Microswitch"	SM A1-A0	
	40-31100-62	1	Bracket "Microswitch"	SM A1-A0	
38	40-31027-61	1	Cam, gripper locking & release		
	01-31012-61	1	Cam, gripper locking & release "Variable"		



SVECIA
SM-01

Machine unit description

Main cam shaft

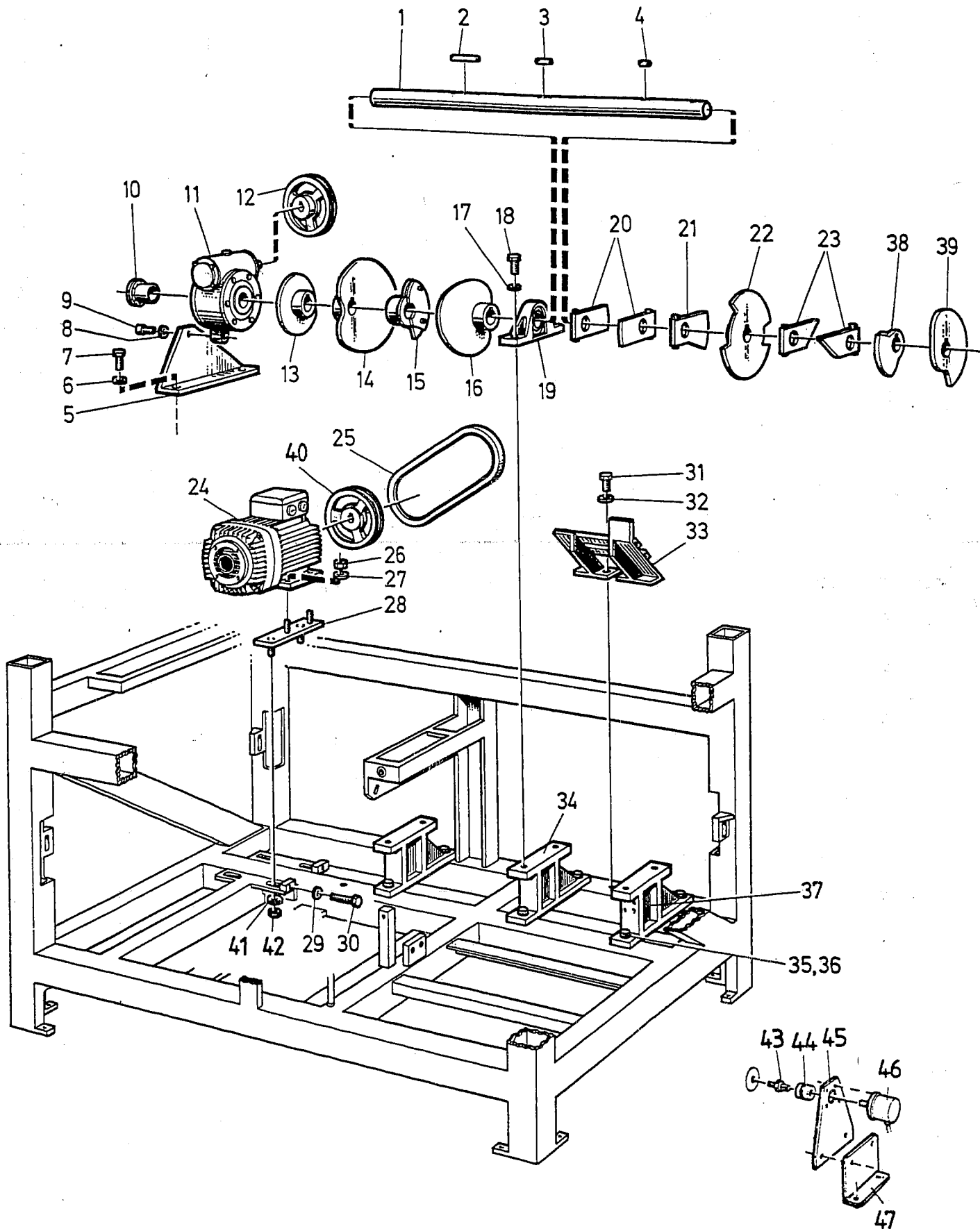
DL

"X"

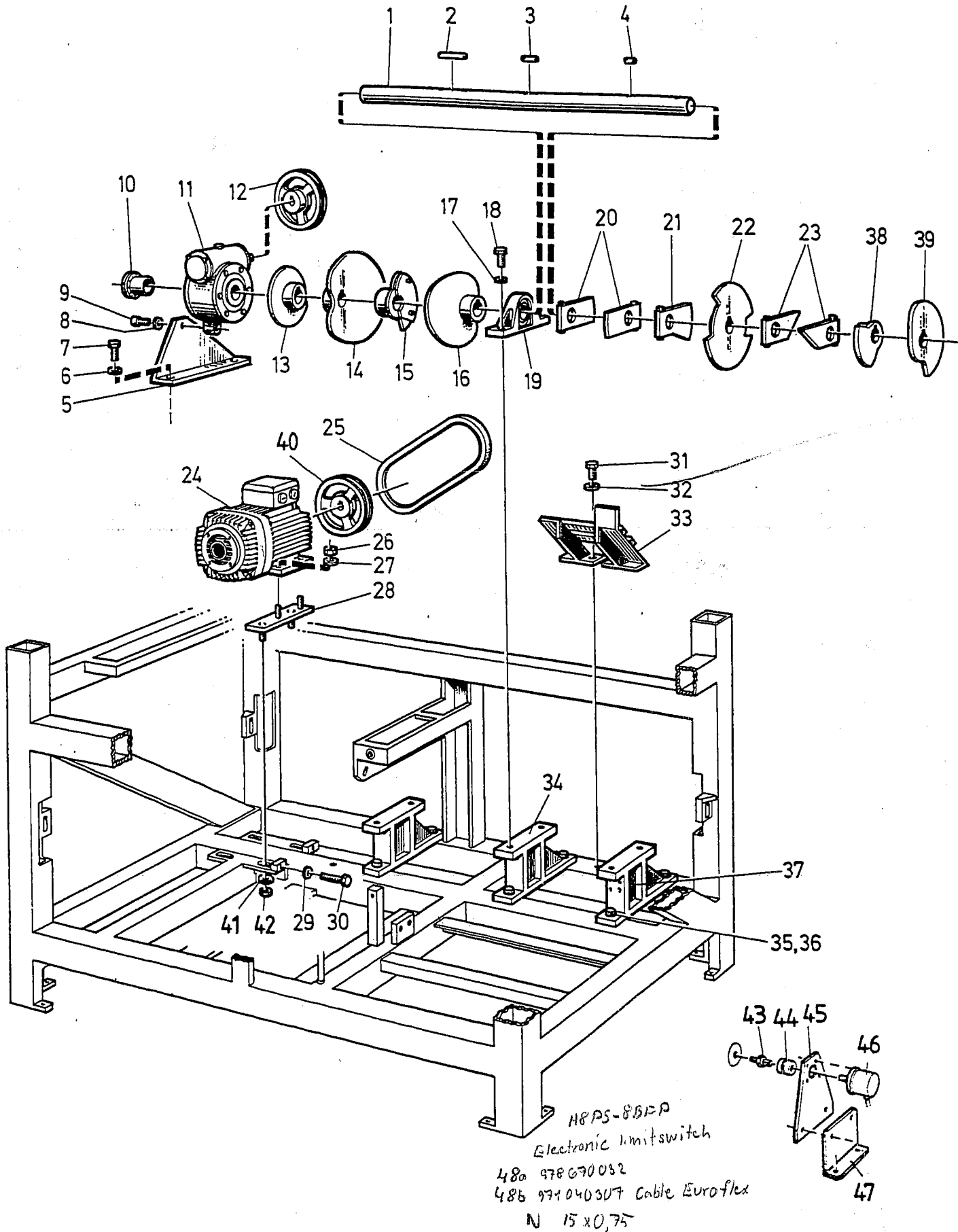
Page

X01-32B

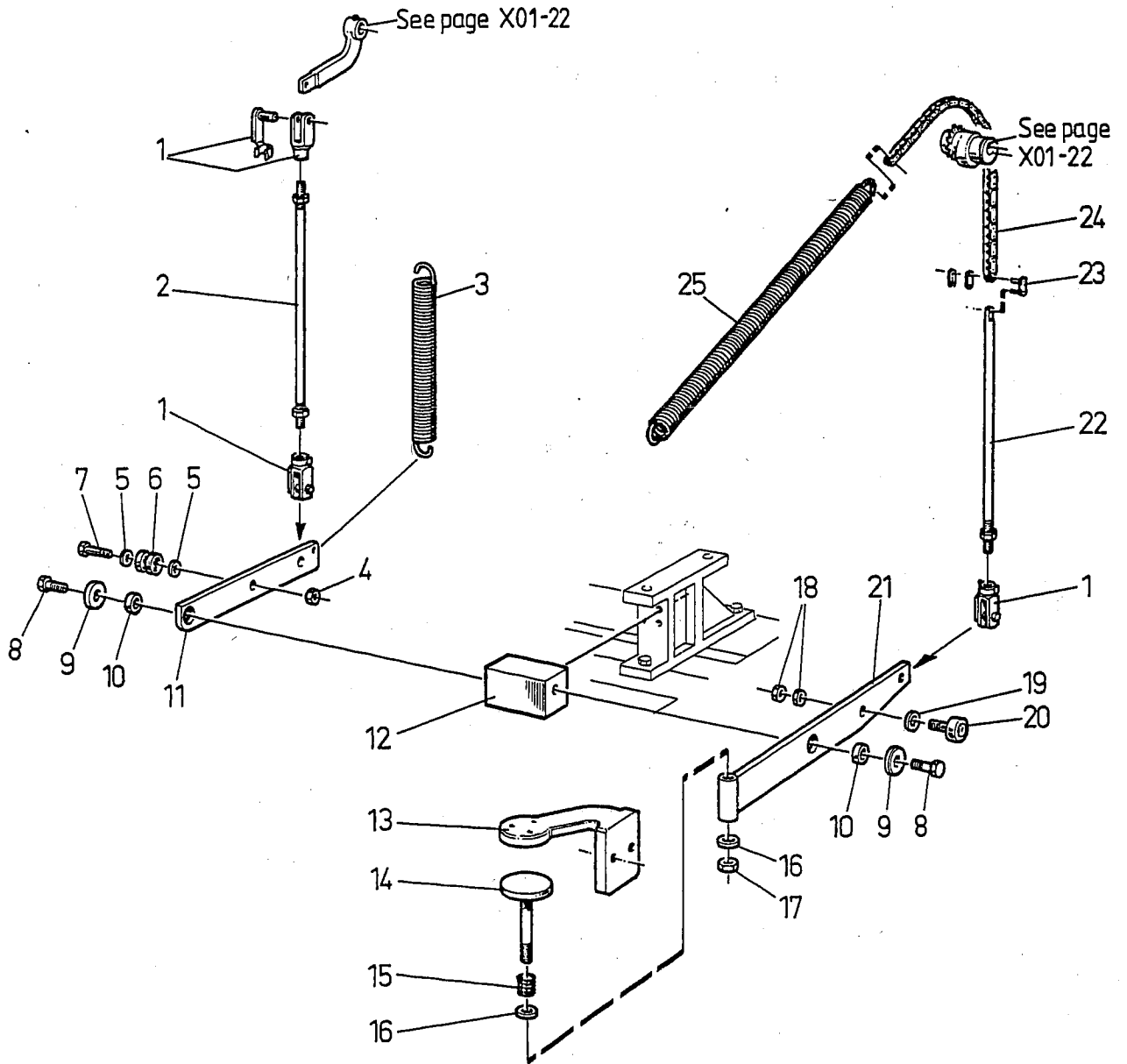
Item	Part No.	Qty	Description	Notes
34	40-21003-01	2	Bearing block	
35	938000111	6	Screw	M6S M10x50
36	934122040	6	Washer	TBRB 10,5x22x4
	935047100	6	Flanged locking nut	LM6MF M10
37	40-21003-02	1	Bearing block	
38	?	1	Cam, gripper locking	See page X01-32C
39	40-31026-61	1	Cam, gripper beam movement	
40	01-40546-13	1	V-grooved pulley "Motor"	D = 50 mm
41	934228061	4	Washer	TBRB 10,5x28x6
42	935035100	4	Locking nut	LM6M M10
43	47-41087-01	1	Driving stud	
44	970505006	1	Joint	Oldham D = 6 mm
45	40-31638-01	1	Bracket	
46	978670033	1	Encoder	
47	40-31639-01	1	Bracket	



SVECIA SM-01		Machine unit description Main cam shaft		DL "X"	Page X01-32
Item	Part No.	Qty	Description	Notes	
1	01-33031-??	1	Main shaft	See page X01-32C	
2	935312050	2	Key	RK 12x8x50	
3	935312050	1	Key	RK 12x8x50	
4	935312032	2	Key	RK 12x8x32	
5	01-43050-61	1	Support		
6	934122040	2	Washer	TBRB 10,5x22x4	
7	938001108	2	Screw	M6S M10x35	
	935047100	2	Flanged locking nut	LM6MF M10	
8	934122040	1	Washer	TBRB 10,5x22x4	
9	938001113	1	Screw	M6S M10x60	
10	948910040	1	Taper lock	CN 55 D=40	
11	941023002	1	Gear	SVE-80 47:1	
	941023901	1	Air nipple	TCF 1/4"	
12	01-40362-??	1	V-grooved pulley "Gear box"	See page X01-32C	
13	40-21021-61	1	Cam, vertical printing head movement		
14	40-21191-61	1	Cam, counter table movement		
15	40-31029-61	1	Cam, vacuum valve		
	40-31029-03	1	Cam, movable		
	938000055	2	Screw	M6S M6x12	
	934012015	2	Washer	BRB 6,4x12x1,5	
16	40-21190-61	1	Cam, table movement		
17	934122040	6	Washer	TBRB 10,5x22x4	
18	938000109	6	Screw	M6S M10x40	
19	948571043	3	Ball bearing cpl.	Pase 40 / SY 40	
	932540240	6	Expanding pin	N 4x40	
20	06-40127-01	2	Cam, microswitch "Standard"	See page X01-32C	
	938000091	4	Screw	M6S M8x60	
	935035080	5	Locking nut	LM6M M8	
21	06-40219-01	1	Cam, microswitch "Wide"	See page X01-32C	
	938000096	1	Screw	M6S M8x90	
22	40-31028-61	1	Cam, stop		
	937210012	2	Stop screw	P6SS M10x12	
23	06-40837-01	2	Cam, index arrow	See page X01-32C	
24	970318002	1	Main motor	KBA 80 B6	
25	9440100??	1	V-belt	See page X01-32C	
26	935035080	4	Locking nut	LM6M M8	
27	934016015	4	Washer	BRB 8,4x16x1,5	
28	01-33081-61	1	Motor bracket, right		
	01-33081-62	1	Motor bracket, left		
29	935010080	2	Nut	M6M M8	
30	938001095	2	Adjustment screw	M6S M8x80	
31	938001108	2	Screw	M6S M10x35	
32	934122040	2	Washer	TBRB 10,5x22x4	
	935047100	2	Flanged locking nut	LM6MF M10	
33	?	1	Bracket "Microswitch"	See page X01-32C	

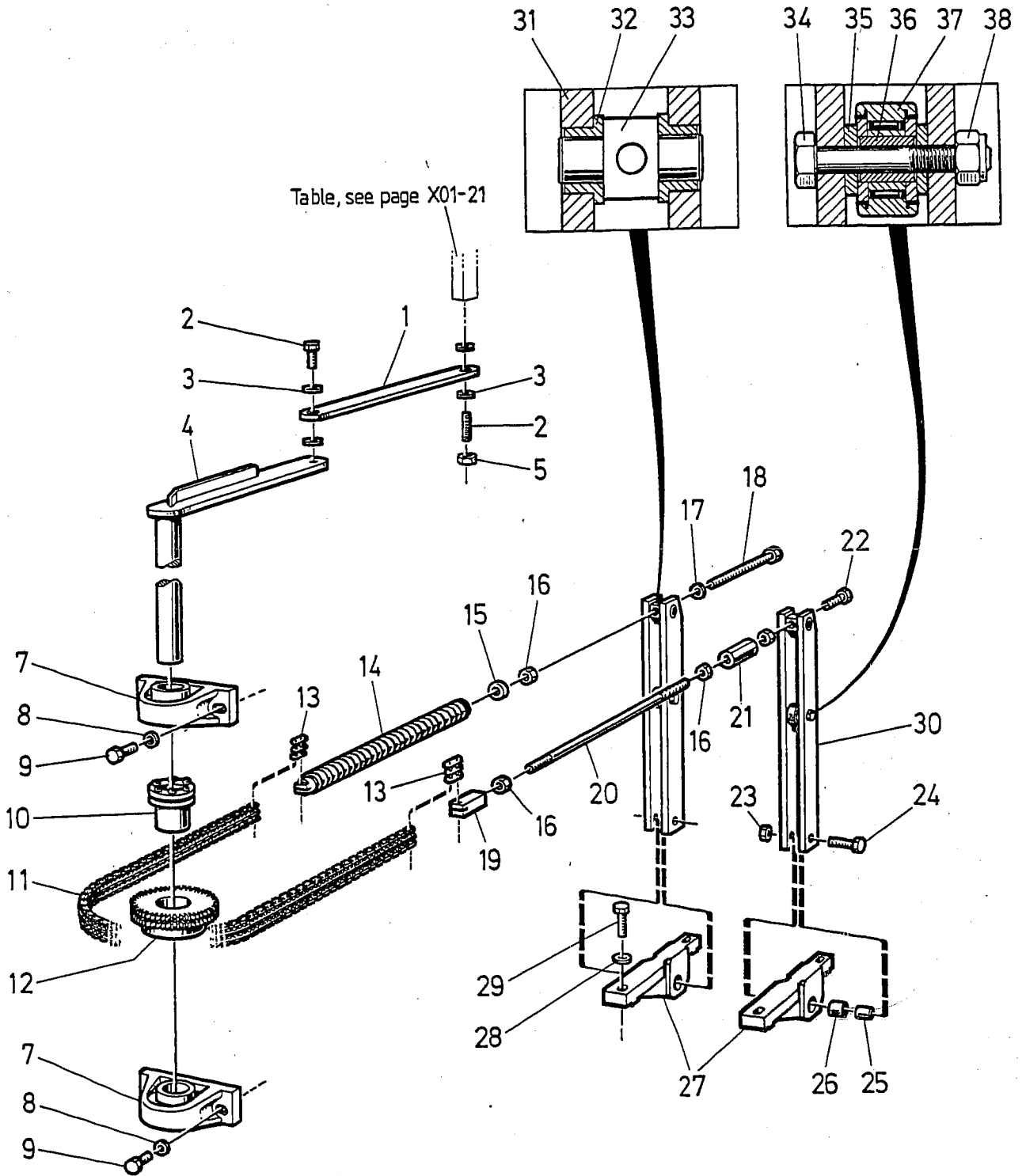


SVECIA SM-01		Machine unit description Gripper operating		DL "X"	Page X01-33
Item	Part No.	Qty	Description	Notes	
1	941083001	3	Fork and pin	ES B8x32	
	941083101	3	Pin only	ES Bolt 8x32	
2	01-30048-03	1	Rod "Gripper locking"		
	935010080	2	Counter nut	M6M M8	
3	01-40106-03	1	Spring		
4	935010080	1	Counter nut	M6M M8	
5	934016015	2	Washer	BRB 8,4x16x1,5	
6	948500059	2	Ball bearing	626 2Z	
7	938001085	1	Screw	M6S M8x30	
8	938001107	2	Screw	M6S M10x30	
9	01-40279-01	2	Washer		
10	01-40296-02	2	Bushing		
11	01-40169-01	1	Operational arm "Gripper locking"		
12	01-43029-01	1	Bracket		
	938001085	4	Screw	M6S M8x30	
	933600008	4	Locking washer	FBB 8	
13	01-30422-01	1	Magnet bracket		
	975810024	1	Magnet	GT 50 R/75 024 V DC	
	975810101	1	Magnet	GT 50 R/75 110 V DC	
	975810185	1	Magnet	GT 50 R/75 180 V DC	
14	40-44055-01	1	Pressure plate		
	40-44056-01	1	Bolt		
15	01-40107-21	1	Spring		
16	934118040	2	Washer	TBRB 10x18x4	
17	935035100	1	Locking nut	LM6M M10	
18	948559175	2	Counter nut	MU M10x1	
19	934118040	1	Washer	TBRB 10x18x4	
20	948598505	1	Stud roller	KR 22 X	
21	01-40231-61	1	Operational arm "Gripper movement"		
22	01-30048-04	1	Rod "Gripper movement"		
	935010080	1	Counter nut	M6M M8	
23	948400103	1	Chain lock	8 mm simplex No: 26	
24	948400001	1	Chain "Gripper movement" L= 520 mm	8 mm simplex	
25	01-40106-05	1	Spring		



SVECIA SM-01	Machine unit description Table movement	DL "X"	Page X01-34B
-------------------------------	--	-------------------------	-------------------------------

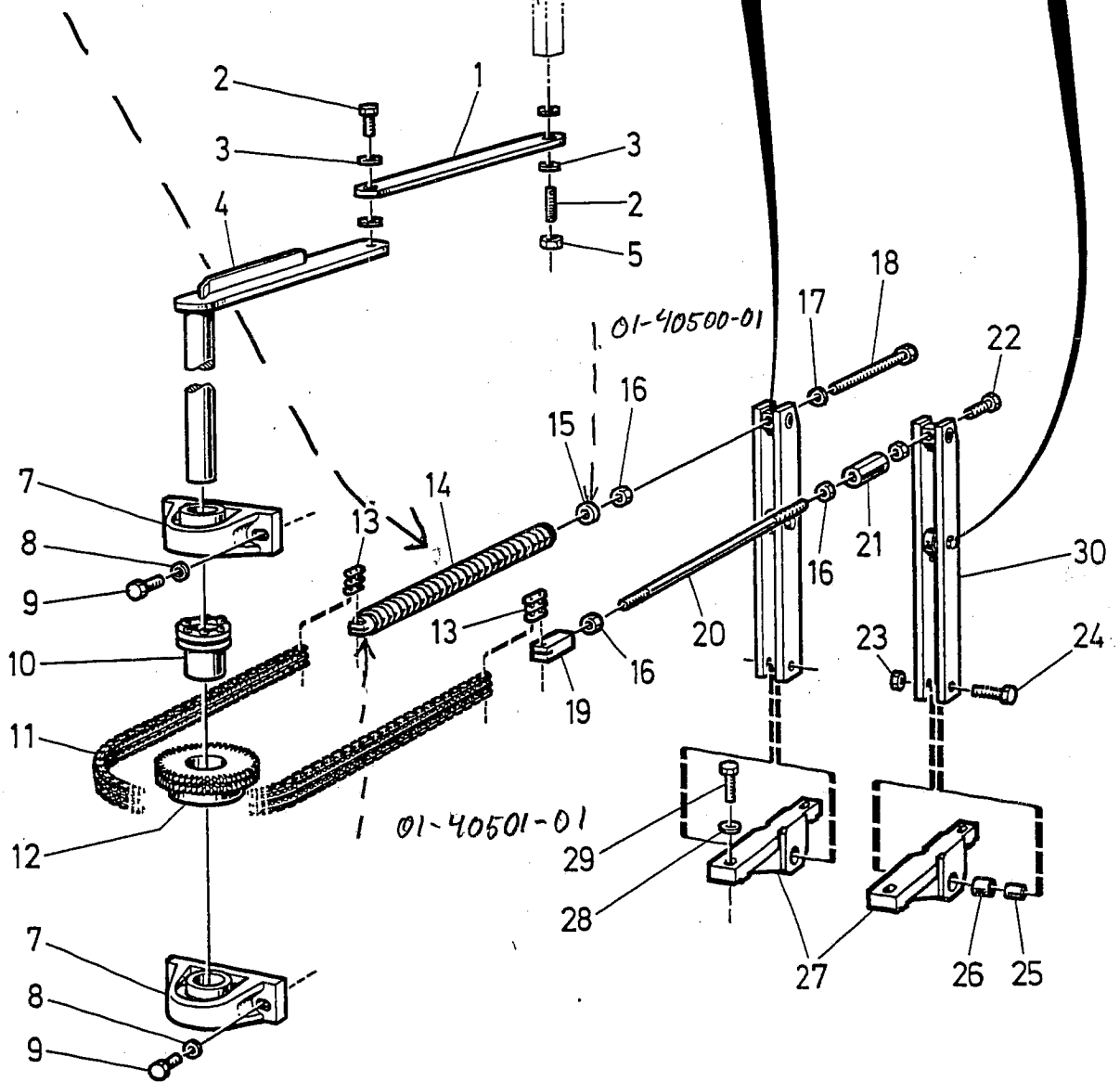
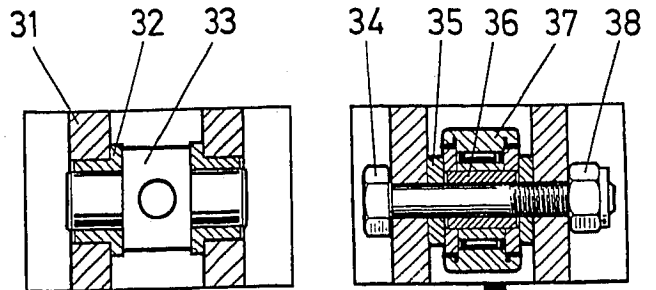
Item	Part No.	Qty	Description	Notes
1	01-33038-01	1	Link L= 599 mm	SM 50-70
	01-33038-02	1	Link L= 648 mm	SM A1
	01-33038-03	1	Link L= 698 mm	SM 70-100
	01-33038-04	1	Link L= 742 mm	SM A0
4	01-33037-61	1	Actuating arm L= 465 mm	SM 50-70
	01-33037-62	1	Actuating arm L= 515 mm	SM A1
	01-33037-63	1	Actuating arm L= 565 mm	SM 70-100
	01-33037-64	1	Actuating arm L= 620 mm	SM A0
11	948400006	1	Chain L= 599 mm	SM 50-70
	948400006	1	Chain L= 699 mm	SM A1
	948400006	1	Chain L= 738 mm	SM 70-100
	948400006	1	Chain L= 833 mm	SM A0
20	01-40469-08	1	Threaded rod L= 660 mm	SM 50-70
	01-40469-09	1	Threaded rod L= 760 mm	SM A1
	01-40469-10	1	Threaded rod L= 860 mm	SM 70-100
	01-40469-11	1	Threaded rod L= 960 mm	SM A0



SVECIA SM-01		Machine unit description Table movement		DL "X"	Page X01-34
Item	Part No.	Qty	Description	Notes	
1	01-33038-??	1	Link	See page X01-34B	
	948510007	2	Ball bearing	108 TN	
2	01-40858-02	1	Pin screw		
	938000082	1	Screw	M6S M8x20	
3	01-40489-01	4	Washer		
	934016015	2	Washer	BRB 8,4x16x1,5	
4	01-33037-??	1	Actuating arm	See page X01-34B	
5	935035080	1	Locking nut	LM6M M8	
6	-	-	-	-	
7	948571043	2	Bearing cpl.	Pase 40 / SY 40	
8	934228061	4	Washer	TBRB 10,5x28x6	
9	938000133	4	Screw	M6S M12x50	
	935047120	4	Flanged locking nut	LM6MF M12	
10	948910040	1	Taper lock	CN 55 D=40	
11	948400006	1	Chain	See page X01-34B	
12	40-41006-01	1	Sprocket "Duplex"		
13	948400120	2	Chain lock	3/8" duplex No:26	
14	01-43172-61	1	Spring		
15	01-43172-62	-	- 635 mm	-	
16	935010100	2	Counter nut	M6M M10	
17	934118040	2	Washer	TBRB 10x18x4	
18	01-40013-61	1	Tension screw	L= 330 mm	
19	01-40319-01	1	Connection link		
20	01-40469-??	1	Threaded rod	See page X01-34B	
21	01-40532-01	1	Connecting link		
22	938001117	1	Screw	M6S M10x80	
23	935035100	2	Locking nut	LM6M M10	
24	938000112	2	Screw	M6S M10x55	
25	01-40294-01	2	Bushing		
26	948900928	2	Oilbronzed bushing	20/28x24	
27	40-31005-01	2	Bracket "Operational arm"		
28	934122040	4	Washer	TBRB 10,5x22x4	
29	938000111	4	Screw	M6S M10x50	
	935047100	4	Flanged locking nut	LM6MF M10	
30	40-31123-61	R	Operational arm cpl.		
31	40-41086-01	4	Operational arm		
32	948902358	4	Flanged oilbronzed bushing	15/22x12-28x3	
33	01-40537-01	2	Tension block		
34	938000112	2	Screw	M6S M10x55	
35	934022020	4	Spacer	BRB 10,5x22x2	
36	06-40089-03	2	Bushing		
37	948598069	2	Stud roller	NUTR 17	
38	935035100	2	Locking nut	LM6M M10	

L=535
01-43172-61
Komplett fjäder

Table, see page X01-21



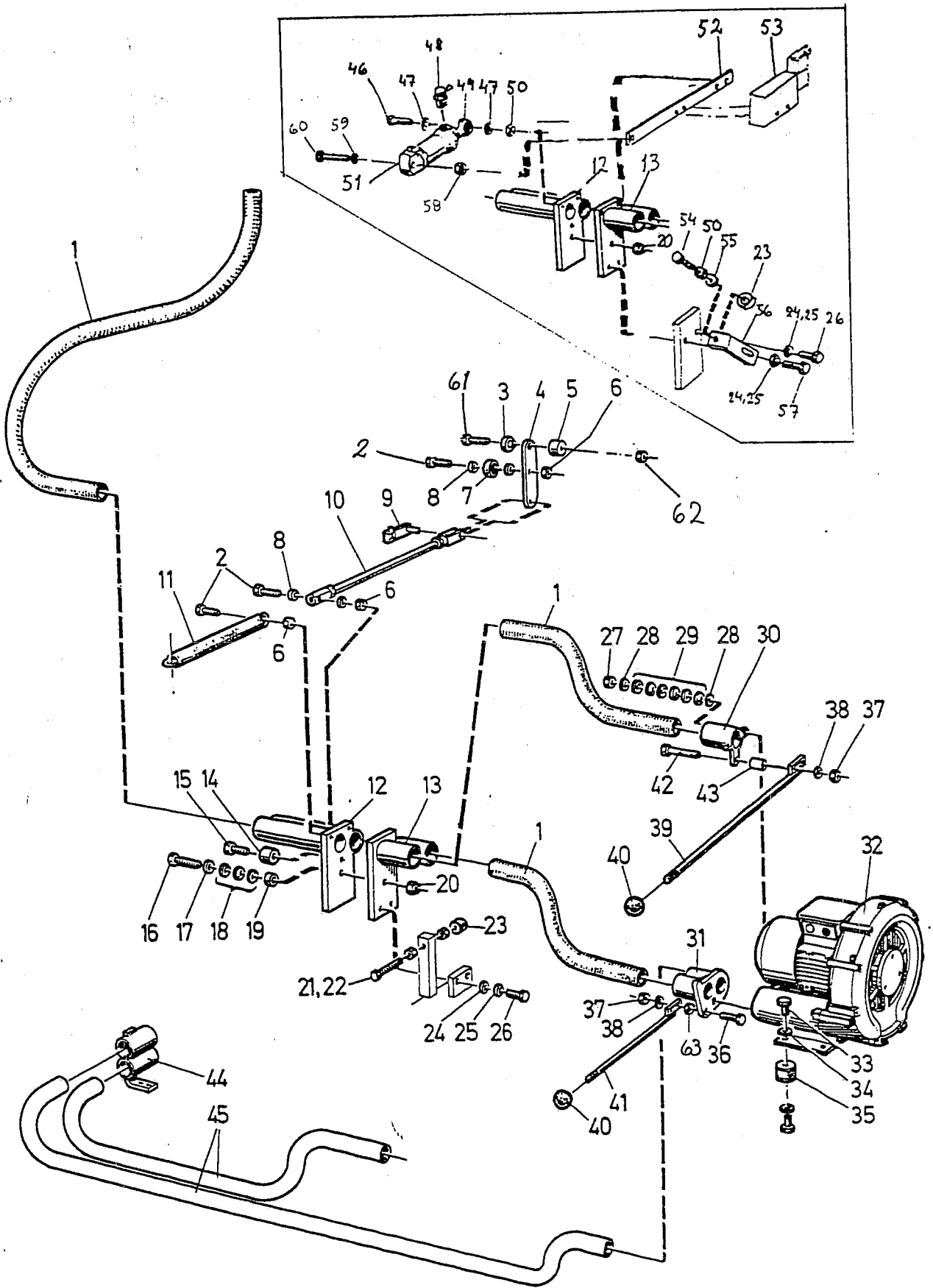
01-40500-01

01-40501-01

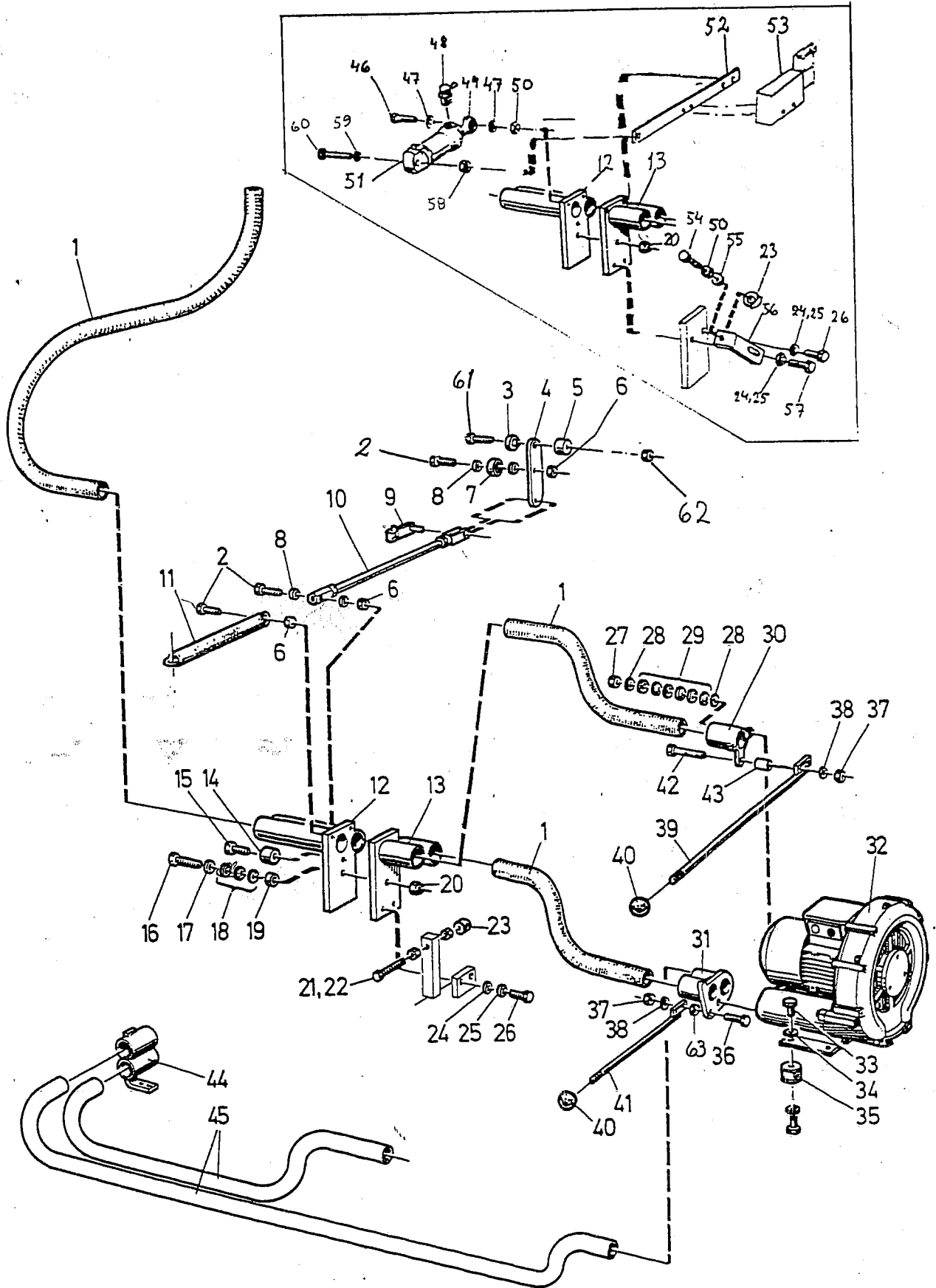
Lösfjäder 01-40105-01

SVECIA SM-01	Machine unit description Vacuum turbine assembly	DL "X"	Page X01-35B
-------------------------------	---	-------------------------	-------------------------------

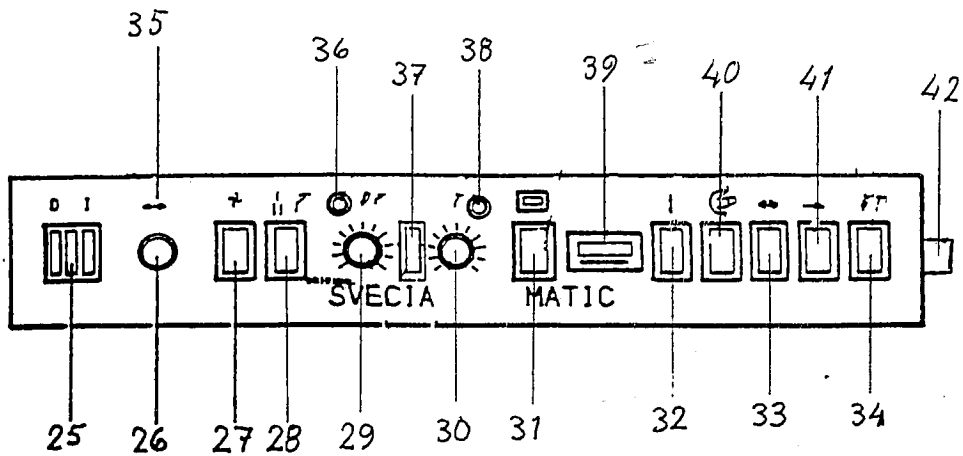
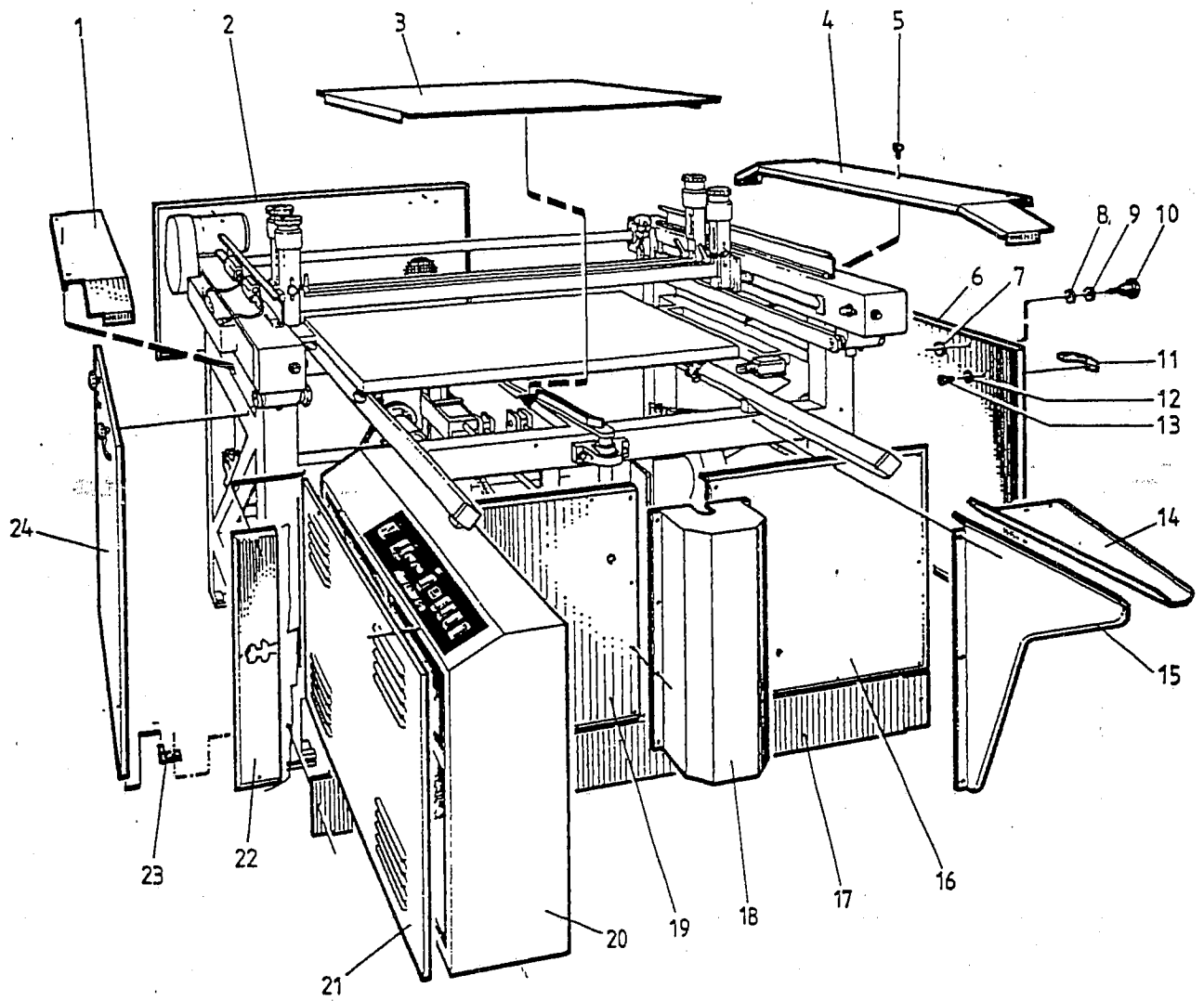
Item	Part No.	Qty	Description	Notes
46	938001084	1	Screw	M6S M8x25
47	934016015	2	Washer	BRB 8,4x16x1,5
48	955492658	R	Air connection	KQL06-U01
49	948582003	1	Link head	SI 8 C
50	935010080	1	Nut	M6M M8
51	954436206	1	Pneumatic cylinder	C16M-20-8-80
52	03-40226-01	1	Bracket	
53	954055040	1	Valve	VGD 15-ER-S-5 24 V DC
	954055045	1	Valve	VGD 15-ER-S-5 220 V DC
	954055046	1	Valve	VGD 15-ER-S-5 110 V DC
54	938001082	1	Screw	M6S M8x20
55	933600008	1	Locking washer	FBB 8
56	03-40054-01	1	Bracket	
57	938000107	1	Screw	M6S 10x35
58	935010080	3	Nut	M6M M8
59	934016015	2	Washer	BRB 8,4x16x1,5
60	938001093	1	Screw	M6S M8x70
61	938000110	1	Screw	M6S M10x45
62	935010100	1	Nut	M6M M10
63	934116030	1	Washer	TBRB 8,4x16x3



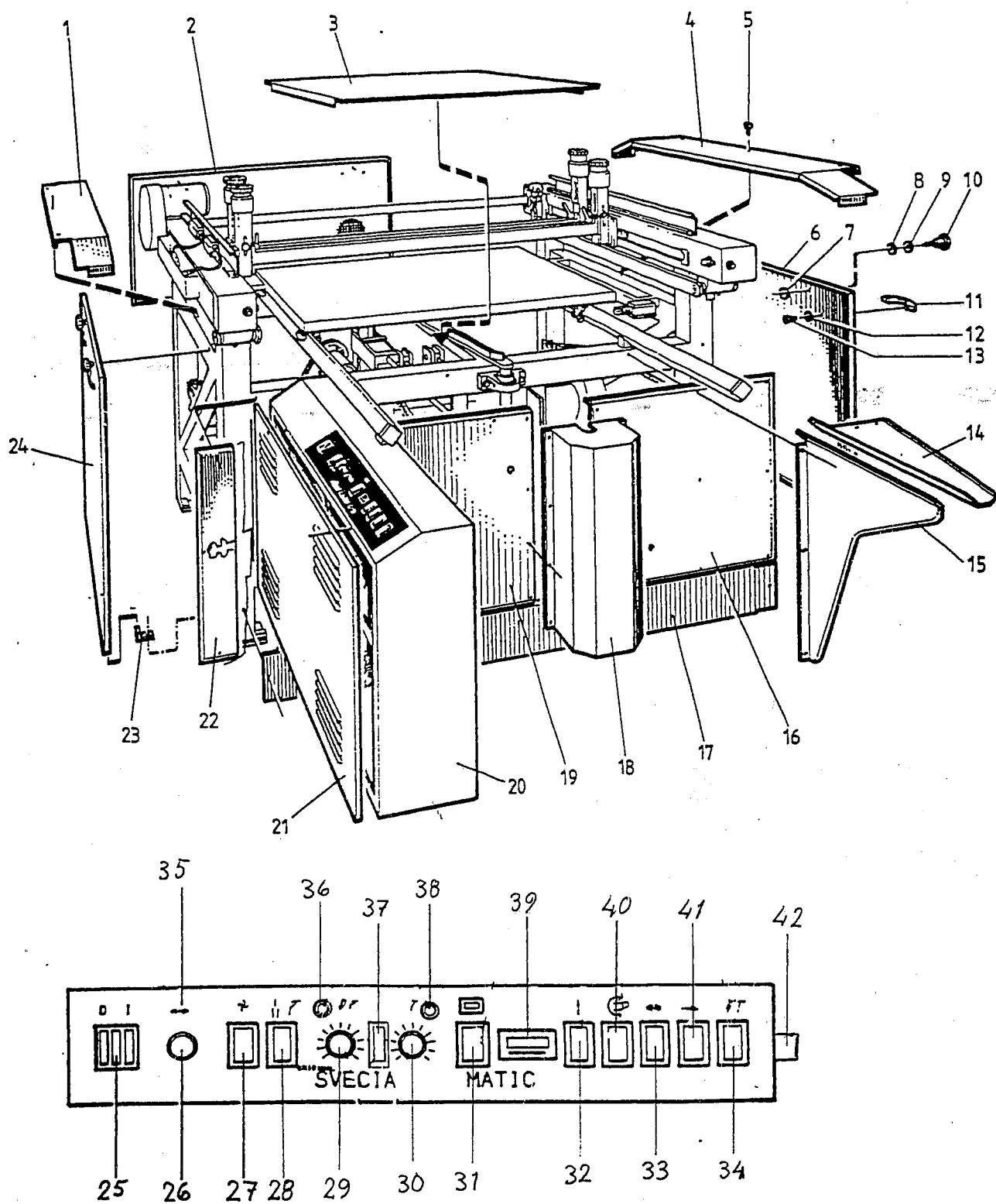
SVECIA SM-01		Machine unit description Vacuum turbine assembly		DL "X"	Page X01-35
Item	Part No.	Qty	Description	Notes	
1	929010399	R	Tube	Hoover 39,9x925	
2	938001085	3	Screw	M6S M8x30	
3	01-40279-01	1	Washer		
	01-40296-02	1	Bushing		
4	01-40170-01	1	Operational arm		
5	01-40279-02	1	Spacer		
6	935010080	1	Nut	M6M M8	
7	948500059	2	Stud roller	608 2Z	
8	934016015	4	Washer	BRB 8,4x16x1,5	
9	941083101	1	Pin only	ES Bolt 8 / 32	
10	25-42016-61	1	Rod cpl.		
	01-40469-07	1	Rod	L = 410 mm	
	941083001	1	Fork and pin	GL 8 / 32 S	
	01-40869-01	1	Link bracket		
	935010080	2	Counter nut	M6M M8	
11	01-40106-01	1	Spring		
12	01-33155-61	1	Valve half "Movable"		
13	01-33154-61	1	Valve half "Fixed"		
14	01-40941-01	1	Stop		
15	938001108	1	Screw	M6S M10x35	
16	938000111	1	Screw	M6S M10x50	
17	934022020	1	Washer	BRB 10,5x22x2	
18	01-40107-21	1	Spring		
19	934022020	2	Washer	BRB 10,5x22x2	
20	935035100	1	Locking nut	LM6M M10	
21	938001091	1	Screw	M6S M8x60	
22	935010080	2	Nut	M6M M8	
23	01-43238-01	1	Damper		
24	934122040	2	Washer	TBRB 10,5x22x4	
25	933600010	2	Locking washer	FBB 10	
26	938000104	2	Screw	M6S M10x20	
27	935035080	2	Locking nut	LM6M M8	
28	934016015	4	Washer	BRB 8,4x16x1,5	
29	933423808	12	Saucer washer	23x8,2x0,8	
30	06-40513-01	1	Flop valve		
31	40-41223-01	1	Twin flop valve		
32	970725149	1	Vacuum turbine	2BH1490-1AH16 345-415V/50Hz	
	970726001	1	Vacuum turbine	2BH1490-1AF19 190-230V/60Hz	
33	938000084	8	Screw	M6S M8x25	
	935010080	8	Counter nut	M6M M8	
34	934019015	8	Washer	BRB 8x19x1,5	
35	927213036	4	Elastic bracket	30/36 M8	
36	938001085	1	Screw	M6S M8x30	
37	935035080	2	Locking nut	LM6M 8	
38	934016015	3	Washer	BRB 8,4x16x1,5	
39	01-40603-62	1	Pull rod "Tall"		
40	969700601	2	Knob	WN 03-30 M10	
41	01-40603-61	1	Pull rod "Short"		
42	938000089	1	Screw	M6S M8x50	
43	01-43125-01	1	Spacer		
44	01-33128-62	1	Tube bracket		
45	929003632	R	Tube	Texan 3641-0032	



SVECIA SM-01		Machine unit description Cover plates and Control panel		DL "X"	Page X01-40C
Item	Part No.	Qty	Description	Notes	
17a	01-33442-01	1	Lower cover, front	SM A0	
	01-33442-02	1	Lower cover, front	SM 70-100	
	01-33442-03	1	Lower cover, front	SM A1	
	01-33442-04	1	Lower cover, front	SM 50-70	
17b	01-33442-05	1	Lower cover, left	SM A0	
	01-33442-06	1	Lower cover, left	SM 70-100	
	01-33442-07	1	Lower cover, left	SM A1	
	01-33442-08	1	Lower cover, left	SM 50-70	
19	01-33470-61	1	Front frame cover, middle	SM A0	
	01-33470-62	1	Front frame cover, middle	SM 70-100	
	01-33470-63	1	Front frame cover, middle	SM A1	
	01-33470-64	1	Front frame cover, middle	SM 50-70	
22	01-33469-61	1	Front frame cover, left	SM A1-A0	
	01-33469-62	1	Front frame cover, left	SM 50-70	
24	01-33456-01	1	Frame cover, left	SM A0	
	01-33456-02	1	Frame cover, left	SM 70-100	
	01-33456-03	1	Frame cover, left	SM A1	



SVECIA SM-01		Machine unit description Cover plates and Control panel		DL "X"	Page X01-40B
Item	Part No.	Qty	Description	Notes	
1	01-33465-01	1	Side top cover, left	SM A0	
	01-33465-02	1	Side top cover, left	SM 70-100	
	01-33465-03	1	Side top cover, left	SM A1	
	01-33465-04	1	Side top cover, left	SM 50-70	
2	01-33441-61	1	Frame cover, rear	SM A0	
	01-33441-62	1	Frame cover, rear	SM 70-100	
	01-33441-63	1	Frame cover, rear	SM A1	
	01-33441-64	1	Frame cover, rear	SM 50-70	
3	01-33474-01	1	Top cover	SM A0	
	01-33474-02	1	Top cover	SM 70-100	
	01-33474-03	1	Top cover	SM A1	
	01-33474-04	1	Top cover	SM 50-70	
4	01-33466-01	1	Side top cover, right	SM A0	
	01-33466-02	1	Side top cover, right	SM 70-100	
	01-33466-03	1	Side top cover, right	SM A1	
	01-33466-04	1	Side top cover, right	SM 50-70	
6	01-33438-01	1	Frame cover, right	SM A0	
	01-33438-02	1	Frame cover, right	SM 70-100	
	01-33438-03	1	Frame cover, right	SM A1	
	01-33438-04	1	Frame cover, right	SM 50-70	
14a	01-33460-61	1	Bracket, right	SM A0	
	01-33460-62	1	Bracket, right	SM 70-100	
	01-33460-63	1	Bracket, right	SM A1	
	01-33460-64	1	Bracket, right	SM 50-70	
14b	01-33444-61	1	Finger guard, right	SM A0	
	01-33444-62	1	Finger guard, right	SM 70-100	
	01-33444-63	1	Finger guard, right	SM A1	
	01-33444-64	1	Finger guard, right	SM 50-70	
15a	01-33458-01	1	Bracket, left	SM A0	
	01-33458-02	1	Bracket, left	SM 70-100	
	01-33458-03	1	Bracket, left	SM A1	
	01-33458-04	1	Bracket, left	SM 50-70	
15b	01-33455-01	1	Top cover "Bracket"	SM A0	
	01-33455-02	1	Top cover "Bracket"	SM 70-100	
	01-33455-03	1	Top cover "Bracket"	SM A1	
	01-33455-04	1	Top cover "Bracket"	SM 50-70	
15c	01-33447-61	1	Finger guard, left	SM A0	
	01-33447-62	1	Finger guard, left	SM 70-100	
	01-33447-63	1	Finger guard, left	SM A1	
	01-33447-64	1	Finger guard, left	SM 50-70	
16	01-33471-01	1	Front frame cover, right	SM A0	
	01-33471-02	1	Front frame cover, right	SM 70-100	
	01-33471-03	1	Front frame cover, right	SM A1	
	01-33471-04	1	Front frame cover, right	SM 50-70	



SVECIA
SM-01

Machine unit description

Cover plates and Control panel

DL

"X"

Page

X01-40

Item	Part No.	Qty	Description	Notes
1	01-33465-??	1	Side top cover, left	See page X01-40B
2	01-33441-??	1	Frame cover, rear	See page X01-40B
3	01-33474-??	1	Top cover	See page X01-40B
4	01-33466-??	1	Side top cover, right	See page X01-40B
5	937905010	R	Screw	MSCS M5x10
6	01-33438-??	1	Frame cover, right	See page X01-40B
7	920002157	R	Rubber washer	15x7x3
8	01-40653-01	R	Fibre washer	8x20x1,5
9	934019015	R	Washer	BRB 8x19x1,5
10	969700825	R	Knob	WN 450 P-M8x25
11	969720805	R	Handle	555/86 mm
12	934008008	R	Washer	BRB 4,3x8x0,8
13	938304008	R	Screw	LKCS M4x8
14	01-33460-??	1	Bracket, right	See page X01-40B
	01-33444-??	1	Finger guard, right	See page X01-40B
15	01-33458-??	1	Bracket, left	See page X01-40B
	01-33455-??	1	Top cover "Bracket"	See page X01-40B
	01-33447-??	1	Finger guard, left	See page X01-40B
16	01-33471-??	1	Front frame cover, right	See page X01-40B
17	01-33442-??	1	Lower cover, front	See page X01-40C
	01-33442-??	1	Lower cover, left	See page X01-40C
18	01-33443-61	1	Chain cover	See page X01-40C
19	01-33470-??	1	Front frame cover, middle	See page X01-40C
20	01-23051-61	1	Central control box, left side	
	01-23051-62	1	Central control box, right side	
21	01-33052-61	1	Cover plate "Control box"	
22	01-33469-??	1	Front frame cover, left	See page X01-40C
23	01-40946-01	4	Bracket	
24	01-33456-??	1	Frame cover, left	See page X01-40C
25	971463021	1	Switch "Main start On-Off" 24V	DAV 13456-14651-13456
	971463022	1	Switch "Main start On-Off" 220V	DAV 13456-14651-13456
	971463023	1	Switch "Main start On-Off" 110V	DAV 13456-14651-13456
26	976465328	1	Potentiometer "Time inner position"	Lin 10 Kohm
27	971462356	1	Switch "Vacuum On-Off"	DAV 23356
28	971462356	1	Switch "Flood coater On-Off"	DAV 23356
29	976465328	1	Potentiometer "Squeegee speed"	Lin 10 Kohm
30	976465328	1	Potentiometer "Flood coater speed"	Lin 10 Kohm
31	971462356	1	Switch "Counter On-Off"	DAV 23356
32	971462656	1	Switch "Frame lifting"	DAV 23656
33	971462356	1	Switch "Table start On-Off"	DAV 23356
34	971462356	1	Switch "Squeegee start On-Off"	DAV 23356
35	979501041	1	Control panel	2 MA 1 - 41
36	971425005	1	Button "Manual squeegee movement"	21-131.825
	971425105	1	Switch "Manual squeegee movement"	21-931.0
	25-40229-01	1	Cover "Manual squeegee movement"	
37	971461556	1	Switch "Manual squeegee turn"	DAV 13556
38	971425005	1	Button "Manual flood coater movement"	21-131.825
	971425105	1	Switch "Manual flood coater movement"	21-931.0
	25-40229-01	1	Cover "Manual flood coater movement"	
39	978210062	1	Counter	RG 162E 24 VDC
	978210155	1	Counter	CRG 152D 110 VDC
	978210255	1	Counter	CRG 152E 220 VDC
40	971462356	1	Switch "Gripper beam movement On-Off"	DAV 23356
41	971462756	1	Switch "Table cycle start"	DAV 23756
42	971427901	1	Potentiometer "Time outer position"	BCD.KOD 10

